

37°Face Tube Fittings

Part. 01

| Specifications

JIC fittings are made in accordance with SAE J514 standards. The JIC stands for Joint Industry Council.

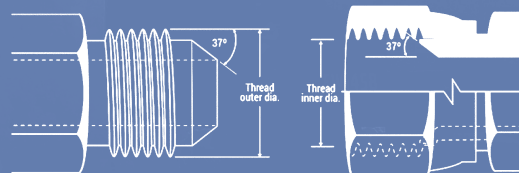
It is also known as the JIC 37 degrees flare fitting because it has a 37 degrees flare seating surface.

These fittings are used on oil hydraulic systems in many fields (fuel delivery, fuel power application, shipbuilding, mobile hydraulic equipment, etc).

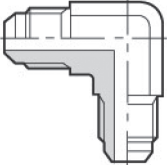
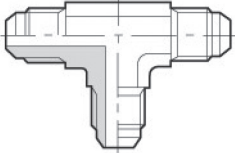
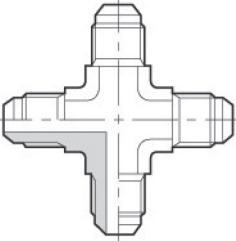
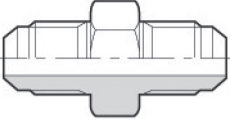
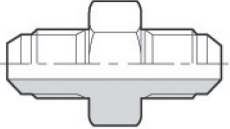
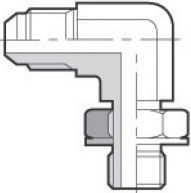
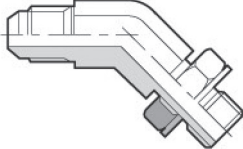
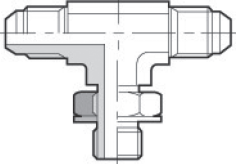
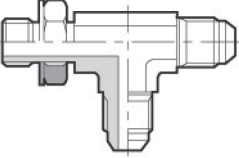
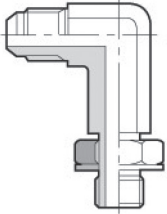
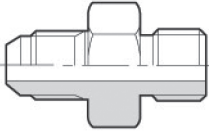
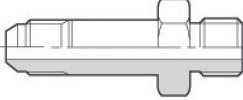
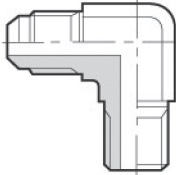
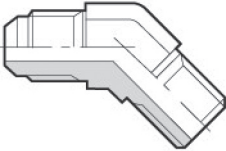
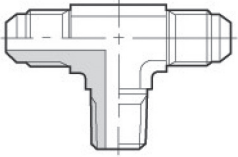
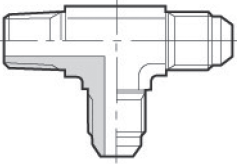
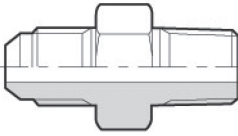
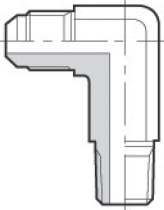
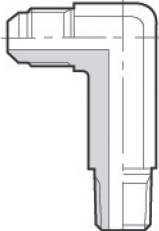
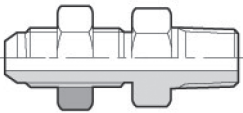
A JIC fitting system has three components that make a tubing assembly: fitting, flare nut, and sleeve.

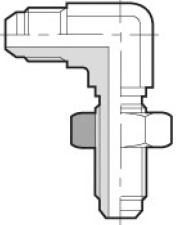
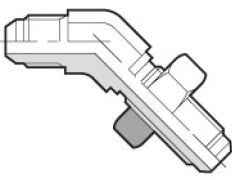
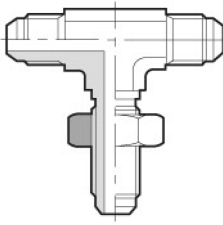
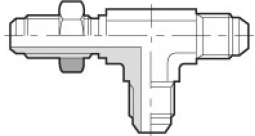
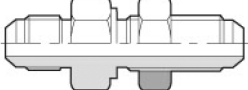
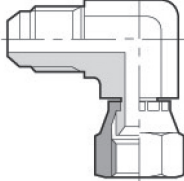
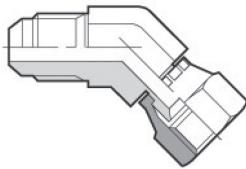
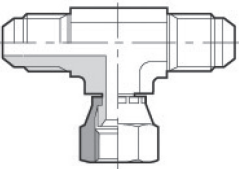
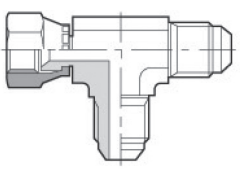
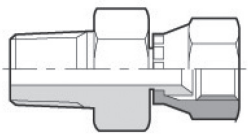
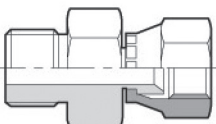
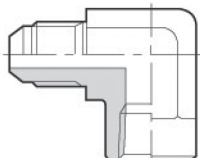
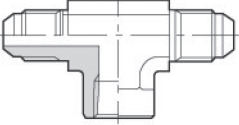
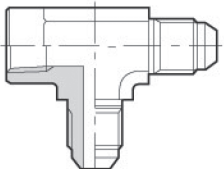
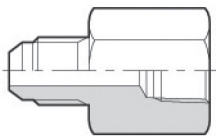
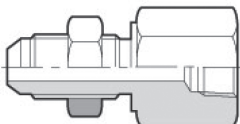
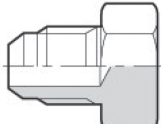
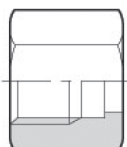
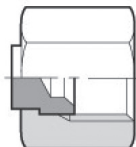

| Features

- Size Range: 1/4" to 2-1/2"
- Design Standard: SAE J514/ISO 8434-2
- Material: Steel/Stainless / Brass
- Working Pressure: Up to 430 Bar
- Working Temperature
 - for carbon steel fittings: from -20°C to +120°C
 - for stainless steel fittings: from -60°C to +200°C



37°Face Tube Fittings Index

<p>ProtecSS-90 • P.8</p>	<p>ProtecSS-T3 • P.8</p>	<p>ProtecSS-C4 • P.9</p>	<p>ProtecSS • P.9</p>	<p>ProtecSS-SL • P.10</p>
				
<p>ProtecSW-90 • P.10</p>	<p>ProtecSW-45 • P.12</p>	<p>ProtecSW-TC • P.12</p>	<p>ProtecSW-TR • P.13</p>	<p>ProtecSW-9L • P.13</p>
				
<p>ProtecSB • P.14</p>	<p>ProtecSB-SL • P.15</p>	<p>ProtecSN-90 • P.16</p>	<p>ProtecSN-45 • P.17</p>	<p>ProtecSN-TC • P.18</p>
				
<p>ProtecSN-TR • P.18</p>	<p>ProtecSN • P.19</p>	<p>ProtecSN-9L • P.20</p>	<p>ProtecSN-LL • P.20</p>	<p>ProtecSH-NL • P.21</p>
				

<p>ProtecSH-90 • P.21</p>	<p>ProtecSH-45 • P.22</p>	<p>ProtecSH-TC • P.22</p>	<p>ProtecSH-TR • P.23</p>	<p>ProtecSH • P.23</p>
				
<p>ProtecSV-90 • P.24</p>	<p>ProtecSV-45 • P.24</p>	<p>ProtecSV-TC • P.25</p>	<p>ProtecSV-TR • P.25</p>	<p>ProtecNV • P.26</p>
				
<p>ProtecBV • P.26</p>	<p>ProtecSFN-90 • P.27</p>	<p>ProtecSFN-TC • P.28</p>	<p>ProtecSFN-TR • P.28</p>	<p>ProtecSFN • P.29</p>
				
<p>ProtecSH-FN • P.30</p>	<p>ProtecPS • P.30</p>	<p>ProtecFNUT • P.31</p>	<p>ProtecFCAP • P.31</p>	<p>ProtecUN • P.32</p>
				

ProtecSS-90

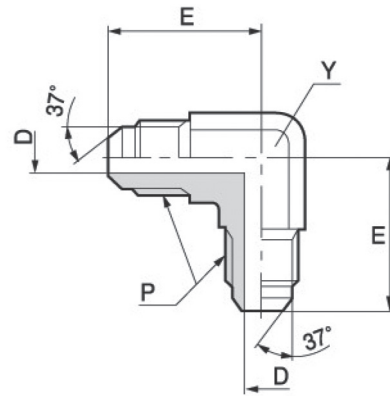
Flare tube end / Flare tube end

SAE 070201 MS51505

Part Number Information

Body only

All dimensions are in inches



PART NO	P (UNF/UN)	E	D	Y
ProtecSS-90-04-04	7/16-20	0.89	0.172	7/16
ProtecSS-90-05-05	1/2-20	0.95	0.234	9/16
ProtecSS-90-06-06	9/16-18	1.06	0.297	9/16
ProtecSS-90-08-08	3/4-16	1.25	0.391	3/4
ProtecSS-90-10-10	7/8-14	1.45	0.484	7/8
ProtecSS-90-12-12	1 1/16-12	1.66	0.609	1 1/16
ProtecSS-90-14-14	1 3/16-12	1.80	0.719	1 5/16
ProtecSS-90-16-16	1 5/16-12	1.81	0.844	15/16
ProtecSS-90-20-20	1 5/8-12	2.06	1.078	1 5/8
ProtecSS-90-24-24	1 7/8-12	2.33	1.312	1 7/8

ProtecSS-T3

Flare tube end (all three ends)

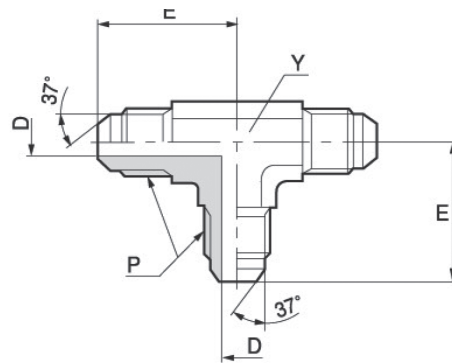
SAE 070401

MS51510

Part Number Information

Body only

All dimensions are in inches



PART NO	P (UNF/UN)	E	D	Y
ProtecSS-T3-04-04	7/16-20	0.89	0.172	7/16
ProtecSS-T3-05-05	1/2-20	0.95	0.234	9/16
ProtecSS-T3-06-06	9/16-18	1.06	0.297	9/16
ProtecSS-T3-08-08	3/4-16	1.25	0.391	3/4
ProtecSS-T3-10-10	7/8-14	1.45	0.484	7/8
ProtecSS-T3-12-12	1 1/16-12	1.66	0.609	1 1/16
ProtecSS-T3-14-14	1 3/16-12	1.80	0.719	1 5/16
ProtecSS-T3-16-16	1 5/16-12	1.81	0.844	1 5/16
ProtecSS-T3-20-20	1 5/8-12	2.06	1.078	1 5/8
ProtecSS-T3-24-24	1 7/8-12	2.33	1.312	1 7/8

ProtecSS-C4

Flare tube end (all four ends)

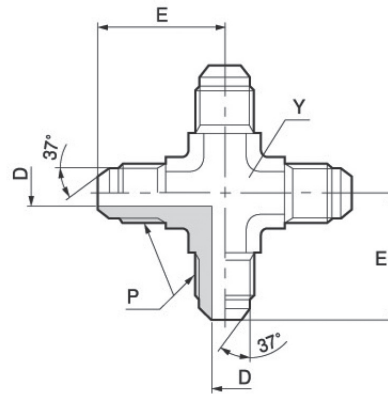
SAE 070501

MS51517

Part Number Information

Body only

All dimensions are in inches



PART NO	P (UNF/UN)	E	D	Y
ProtecSS-C4-04-04-04	7/16-20	0.89	0.172	7/16
ProtecSS-C4-05-05-05	1/2-20	0.95	0.234	9/16
ProtecSS-C4-06-06-06	9/16-18	1.06	0.297	9/16
ProtecSS-C4-08-08-08	3/4-16	1.25	0.391	3/4
ProtecSS-C4-10-10-10	7/8-14	1.45	0.484	7/8
ProtecSS-C4-12-12-12	1 1/16-12	1.66	0.609	1 1/16
ProtecSS-C4-16-16-16	1 5/16-12	1.81	0.844	1 5/16

ProtecSS

Flare tube end / Flare tube end

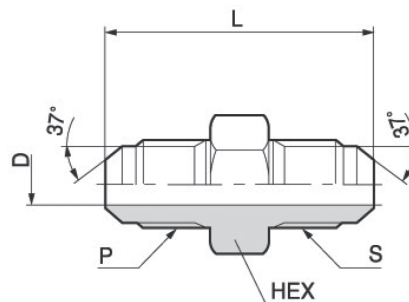
SAE 070101

MS51501

Part Number Information

Body only

All dimensions are in inches



PART NO	P (UNF/UN)	S (UNF/UN)	HEX	L	D
ProtecSS-04-04	7/16-20	7/16-20	1/2	1.37	0.172
ProtecSS-05-05	1/2-20	1/2-20	9/16	1.37	0.234
ProtecSS-06-06	9/16-18	9/16-18	5/8	1.41	0.297
ProtecSS-08-08	3/4-16	3/4-16	13/16	1.62	0.391
ProtecSS-10-10	7/8-14	7/8-14	15/16	1.88	0.484
ProtecSS-12-12	1 1/16-12	1 1/16-12	1 1/8	2.16	0.609
ProtecSS-14-14	1 3/16-12	1 3/16-12	1 1/4	2.22	0.718
ProtecSS-16-16	1 5/16-12	1 5/16-12	1 3/8	2.25	0.844
ProtecSS-20-20	1 5/8-12	1 5/8-12	1 11/16	2.44	1.078
ProtecSS-24-24	1 7/8-12	1 7/8-12	2	2.75	1.312

ProtecSS-SL

Flare tube end/ Flare tube end

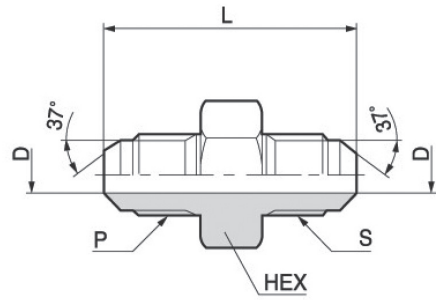
SAE 070119

MS51519

Part Number Information

Body only

All dimensions are in inches



PART NO	P (UNF/UN)	S (UNF/UN)	HEX	L	D
ProtecSS-SL-04-04	7/16-20	7/16-20	11/16	1.37	0.172
ProtecSS-SL-05-05	1/2-20	1/2-20	3/4	1.38	0.234
ProtecSS-SL-06-06	9/16-18	9/16-18	13/16	1.41	0.297
ProtecSS-SL-08-08	3/4-16	3/4-16	1	1.62	0.391
ProtecSS-SL-10-10	7/8-14	7/8-14	1 1/8	1.88	0.484
ProtecSS-SL-12-12	1 1/16-12	1 1/16-12	1 3/8	2.16	0.609
ProtecSS-SL-16-16	1 5/16-12	1 5/16-12	1 5/8	2.25	0.844

ProtecSW-90

Flare tube end / Straight thread O-ring

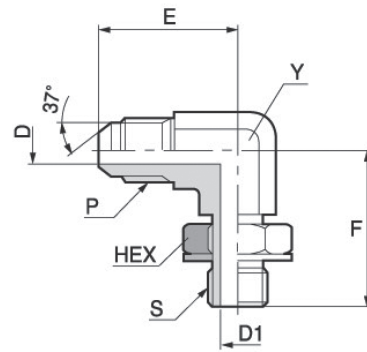
SAE 070220

MS51527

Part Number Information

Body with nut and washer, O-ring

All dimensions are in inches



PART NO	P (UNF/UN)	S (UNF/UN)	E	F	D	D1	HEX	Y
ProtecSW-90-04-04	7/16-20	7/16-20	0.89	1.03	0.172	0.172	9/16	7/16
ProtecSW-90-04-06	7/16-20	9/16-18	1.05	1.25	0.172	0.297	11/16	9/16
ProtecSW-90-05-04	1/2-20	7/16-20	0.95	1.13	0.234	0.172	9/16	9/16
ProtecSW-90-05-05	1/2-20	1/2-20	0.95	1.13	0.234	0.234	5/8	9/16
ProtecSW-90-05-06	1/2-20	9/16-18	0.94	1.25	0.234	0.297	11/16	9/16
ProtecSW-90-06-04	9/16-18	7/16-20	1.06	1.19	0.297	0.172	9/16	9/16
ProtecSW-90-06-05	9/16-18	1/2-20	1.06	1.19	0.297	0.234	5/8	9/16
ProtecSW-90-06-06	9/16-18	9/16-18	1.06	1.25	0.297	0.297	11/16	9/16
ProtecSW-90-06-08	9/16-18	3/4-16	1.14	1.45	0.297	0.391	7/8	3/4
ProtecSW-90-06-10	9/16-18	7/8-14	1.23	1.7	0.297	0.484	1	7/8
ProtecSW-90-08-06	3/4-16	9/16-18	1.25	1.36	0.391	0.297	11/16	3/4
ProtecSW-90-08-08	3/4-16	3/4-16	1.25	1.45	0.391	0.391	7/8	3/4
ProtecSW-90-08-10	3/4-16	7/8-14	1.34	1.7	0.391	0.484	1	7/8
ProtecSW-90-08-12	3/4-16	1 1/16-12	1.42	1.94	0.391	0.609	1 1/4	1 1/16
ProtecSW-90-10-06	7/8-14	9/16-18	1.45	1.41	0.484	0.297	1 1/16	7/8
ProtecSW-90-10-08	7/8-14	3/4-16	1.45	1.55	0.484	0.391	7/8	7/8
ProtecSW-90-10-10	7/8-14	7/8-14	1.45	1.7	0.484	0.484	1	7/8
ProtecSW-90-10-12	7/8-14	1 1/16-12	1.53	1.94	0.484	0.609	1 1/4	1 1/16
ProtecSW-90-12-08	1 1/16-12	3/4-16	1.66	1.63	0.609	0.391	7/8	1 1/16
ProtecSW-90-12-10	1 1/16-12	7/8-14	1.66	1.78	0.609	0.484	1	1 1/16
ProtecSW-90-12-12	1 1/16-12	1 1/16-12	1.66	1.94	0.609	0.609	1 1/4	1 1/16
ProtecSW-90-12-14	1 1/16-12	1 3/16-12	1.77	2	0.609	0.718	1 3/8	1 5/16
ProtecSW-90-12-16	1 1/16-12	1 5/16-12	1.81	2.05	0.609	0.844	1 1/2	1 5/16
ProtecSW-90-14-14	1 3/16-12	1 3/16-12	1.8	2	0.718	0.718	1 3/8	1 5/16
ProtecSW-90-16-12	1 5/16-12	1 1/16-12	1.81	2.05	0.844	0.609	1 1/4	1 5/16
ProtecSW-90-16-14	1 5/16-12	1 3/16-12	1.81	2.07	0.844	0.718	1 3/8	1 5/16
ProtecSW-90-16-16	1 5/16-12	1 5/16-12	1.81	2.05	0.844	0.844	1 1/2	1 5/16
ProtecSW-90-16-20	1 5/16-12	1 5/8-12	2.01	2.25	0.844	1.078	1 7/8	1 5/8
ProtecSW-90-20-16	1 5/8-12	1 5/16-12	2.06	2.25	1.078	0.844	1 1/2	1 5/8
ProtecSW-90-20-20	1 5/8-12	1 5/8-12	2.06	2.25	1.078	1.078	1 7/8	1 5/8
ProtecSW-90-20-24	1 5/8-12	1 7/8-12	2.2	2.39	1.078	1.312	2 1/8	1 7/8
ProtecSW-90-24-20	1 7/8-12	1 5/8-12	2.33	2.39	1.312	1.078	1 7/8	1 7/8
ProtecSW-90-24-24	1 7/8-12	1 7/8-12	2.33	2.39	1.312	1.312	2 1/8	1 7/8

ProtecSW-45

Flare tube end/ Straight thread O-ring

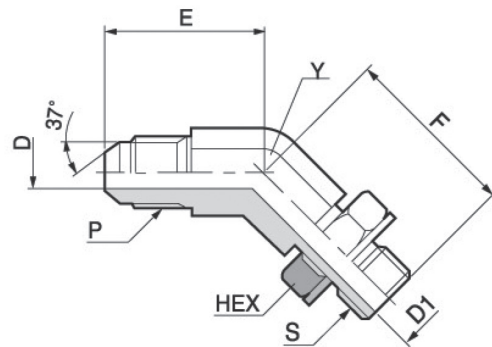
SAE 070320

MS51528

Part Number Information

Body with nut and washer, O-ring

All dimensions are in inches



PART NO	P (UNF/UN)	S (UNF/UN)	E	F	D	D1	HEX	Y
ProtecSW-45-04-04	7/16-20	7/16-20	0.72	1.05	0.172	0.172	9/16	7/16
ProtecSW-45-05-05	1/2-20	1/2-20	0.77	1.05	0.234	0.234	5/8	9/16
ProtecSW-45-06-06	9/16-18	9/16-18	0.83	1.14	0.297	0.297	11/16	9/16
ProtecSW-45-06-08	9/16-18	3/4-16	0.86	1.3	0.297	0.391	7/8	3/4
ProtecSW-45-08-08	3/4-16	3/4-16	0.98	1.3	0.391	0.391	7/8	3/4
ProtecSW-45-08-10	3/4-16	7/8-14	1	1.52	0.391	0.484	1	7/8
ProtecSW-45-10-10	7/8-14	7/8-14	1.11	1.52	0.484	0.484	1	7/8
ProtecSW-45-12-12	1 1/16-12	1 1/16-12	1.28	1.73	0.609	0.609	1 1/4	1 1/16
ProtecSW-45-12-10	1 1/16-12	7/8-14	1.28	1.73	0.609	0.484	1	1 1/16
ProtecSW-45-14-14	1 3/16-12	1 3/16-12	1.45	1.86	0.719	0.719	1 3/8	1 5/16
ProtecSW-45-16-16	1 5/16-12	1 5/16-12	1.47	1.86	0.844	0.844	1 1/2	1 5/16
ProtecSW-45-20-20	1 5/8-12	1 5/8-12	1.59	1.91	1.078	1.078	1 7/8	1 5/8
ProtecSW-45-24-24	1 7/8-12	1 7/8-12	1.78	1.91	1.312	1.312	2 1/8	1 7/8

ProtecSW-TC

Flare tube ends/ Straight thread O-ring

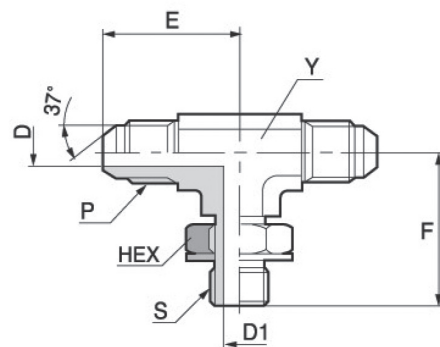
SAE 070429

MS51529

Part Number Information

Body with nut and washer, O-ring

All dimensions are in inches



PART NO	P (UNF/UN)	S (UNF/UN)	E	F	D	D1	HEX	Y
ProtecSW-TC-04-04-04	7/16-20	7/16-20	0.89	1.03	0.172	0.172	9/16	7/16
ProtecSW-TC-05-05-05	1/2-20	1/2-20	0.95	1.13	0.234	0.234	5/8	9/16
ProtecSW-TC-06-06-06	9/16-18	9/16-18	1.06	1.25	0.297	0.297	11/16	9/16
ProtecSW-TC-08-08-08	3/4-16	3/4-16	1.25	1.45	0.391	0.391	7/8	3/4
ProtecSW-TC-10-10-10	7/8-14	7/8-14	1.45	1.7	0.484	0.484	1	7/8
ProtecSW-TC-12-12-12	1 1/16-12	1 1/16-12	1.66	1.94	0.609	0.609	1 1/4	1 1/16
ProtecSW-TC-16-16-16	1 5/16-12	1 5/16-12	1.81	2.05	0.844	0.844	1 1/2	1 5/16

ProtecSW-TR

Flare tube ends/ Straight thread O-ring

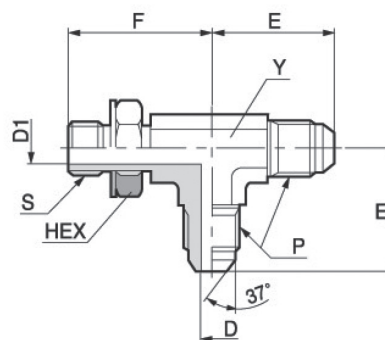
SAE 070428

MS51530

Part Number Information

Body with nut and washer, O-ring

All dimensions are in inches



PART NO	P (UNF/UN)	S (UNF/UN)	E	F	D	D1	HEX	Y
ProtecSW-TR-04-04-04	7/16-20	7/16-20	0.89	1.03	0.172	0.172	9/16	7/16
ProtecSW-TR-05-05-05	1/2-20	1/2-20	0.95	1.13	0.234	0.234	5/8	9/16
ProtecSW-TR-06-06-06	9/16-18	9/16-18	1.06	1.25	0.297	0.297	11/16	9/16
ProtecSW-TR-08-08-08	3/4-16	3/4-16	1.25	1.45	0.391	0.391	7/8	3/4
ProtecSW-TR-10-10-10	7/8-14	7/8-14	1.45	1.7	0.484	0.484	1	7/8
ProtecSW-TR-12-12-12	1 1/16-12	1 1/16-12	1.66	1.94	0.609	0.609	1 1/4	1 1/16
ProtecSW-TR-16-16-16	1 5/16-12	1 5/16-12	1.81	2.05	0.844	0.844	1 1/2	1 5/16
ProtecSW-TR-20-20-20	1 5/8-12	1 5/8-12	2.06	2.25	1.078	1.078	1 7/8	1 5/8
ProtecSW-TR-24-24-24	1 7/8-12	1 7/8-12	2.33	2.39	1.312	1.312	2 1/8	1 7/8

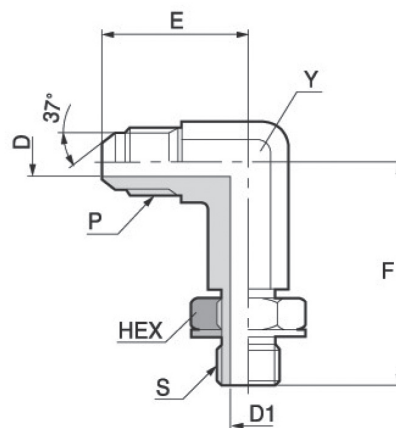
ProtecSW-9L

Flare tube end/ Straight thread O-ring

Part Number Information

Body with nut and washer, O-ring

All dimensions are in inches



PART NO	P (UNF/UN)	S (UNF/UN)	E	F	D	D1	HEX	Y
ProtecSW-9L-04-04	7/16-20	7/16-20	1	1.73	0.172	0.172	9/16	9/16
ProtecSW-9L-06-06	9/16-18	9/16-18	1.06	2.08	0.297	0.297	11/16	9/16
ProtecSW-9L-08-08	3/4-16	3/4-16	1.25	2.5	0.391	0.391	7/8	7/8
ProtecSW-9L-10-10	7/8-14	7/8-14	1.45	2.89	0.484	0.484	1	7/8
ProtecSW-9L-12-12	1 1/16-12	1 1/16-12	1.66	3.34	0.609	0.609	1 1/4	1 1/16
ProtecSW-9L-16-16	1 5/16-12	1 5/16-12	1.81	3.72	0.844	0.844	1 1/2	1 5/16

ProtecSB

Flare tube end/ Straight thread O-ring

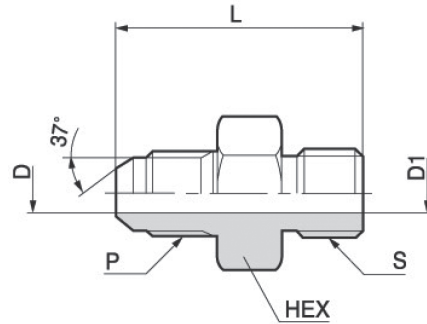
SAE 070120

MS51525

Part Number Information

Body with O-ring

All dimensions are in inches



PART NO	P (UNF/UN)	S (UNF/UN)	HEX	L	D	D1
ProtecSB-04-04	7/16-20	7/16-20	9/16	1.23	0.172	0.172
ProtecSB-04-06	7/16-20	9/16-18	11/16	1.30	0.172	0.172
ProtecSB-04-08	7/16-20	3/4-16	7/8	1.38	0.172	0.391
ProtecSB-04-10	7/16-20	7/8-14	1	1.49	0.172	0.172
ProtecSB-05-04	1/2-20	7/16-20	9/16	1.23	0.234	0.172
ProtecSB-05-05	1/2-20	1/2-20	5/8	1.23	0.234	0.234
ProtecSB-05-06	1/2-20	9/16-18	11/16	1.30	0.234	0.234
ProtecSB-05-08	1/2-20	3/4-16	7/8	1.37	0.234	0.234
ProtecSB-06-04	9/16-18	7/16-20	5/8	1.27	0.297	0.172
ProtecSB-06-06	9/16-18	9/16-18	11/16	1.30	0.297	0.297
ProtecSB-06-08	9/16-18	3/4-16	7/8	1.30	0.297	0.297
ProtecSB-06-10	9/16-18	7/8-14	1	1.50	0.297	0.297
ProtecSB-06-12	9/16-18	1 1/16-12	1 1/4	1.66	0.297	0.609
ProtecSB-08-06	3/4-16	9/16-18	7/8	1.46	0.391	0.297
ProtecSB-08-08	3/4-16	3/4-16	7/8	1.48	0.391	0.391
ProtecSB-08-10	3/4-16	7/8-14	1	1.54	0.391	0.391
ProtecSB-08-12	3/4-16	1 1/16-12	1 1/4	1.77	0.391	0.391
ProtecSB-10-06	7/8-14	9/16-18	11/16	1.17	0.484	0.297
ProtecSB-10-08	7/8-14	3/4-16	1	1.58	0.484	0.391
ProtecSB-10-10	7/8-14	7/8-14	1	1.70	0.484	0.484
ProtecSB-10-12	7/8-14	1 1/16-12	1 1/4	1.86	0.484	0.484
ProtecSB-10-16	7/8-14	1 5/16-12	1 1/2	1.89	0.484	0.484
ProtecSB-12-08	1 1/16-12	3/4-16	1 1/4	1.78	0.609	0.391
ProtecSB-12-10	1 1/16-12	7/8-14	1 1/8	1.77	0.609	0.484
ProtecSB-12-12	11/16-12	1 1/16-12	1 1/4	1.97	0.609	0.609
ProtecSB-12-14	1 1/16-12	1 3/16-12	1 3/8	1.96	0.609	0.609
ProtecSB-12-16	1 1/16-12	1 5/16-12	1 1/2	1.93	0.609	0.609
ProtecSB-14-14	1 3/16-12	1 3/16-12	1 3/8	1.99	0.719	0.719
ProtecSB-14-16	1 3/16-12	1 5/16-12	1 1/2	2.02	0.719	0.844
ProtecSB-16-10	1 5/16-12	7/8-14	1 1/2	2.08	0.844	0.484
ProtecSB-16-12	1 5/16-12	1 1/16-12	1 1/2	1.97	0.844	0.609
ProtecSB-16-14	1 5/16-12	1 3/16-12	1 1/2	2.08	0.844	0.719
ProtecSB-16-16	1 5/16-12	1 5/16-12	1 1/2	2.04	0.844	0.844
ProtecSB-20-20	1 5/8-12	1 5/8-12	1 7/8	2.17	1.078	1.078
ProtecSB-24-24	1 7/8-12	1 7/8-12	2 1/4	2.37	1.312	1.312

ProtecSB-SL

Flare tube end / Straight thread O-ring

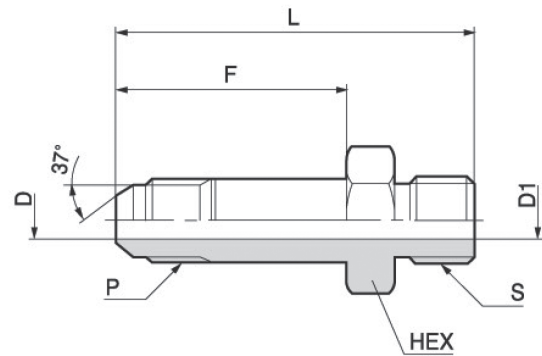
SAE 070122

MS51526

Part Number Information

Body with O-ring

All dimensions are in inches



PART NO	P (UNF/UN)	S (UNF/UN)	HEX	L	F	D	D1
ProtecS B-SL-04-04	7/16-20	7/16-20	9/16	2.08	1.39	0.172	0.172
ProtecSB-SL-06-06	9/16-18	9/16-18	11/16	2.31	1.56	0.297	0.297
ProtecSB-SL-08-08	3/4-16	3/4-16	7/8	2.7	1.88	0.391	0.391
ProtecSB-SL-10-10	7/8-14	7/8-14	1	3.04	2.09	0.484	0.484
ProtecSB-SL-12-12	1 1/16-12	1 1/16-12	1 1/4	3.61	2.5	0.609	0.609
ProtecSB-SL-16-16	1 5/16-12	1 5/16-12	1 1/2	3.98	2.84	0.844	0.844
ProtecSB-SL-20-20	1 5/8-12	1 5/8-12	1 7/8	4.69	3.47	1.078	1.078

ProtecSN-90

Flare tube end/ Male pipe end

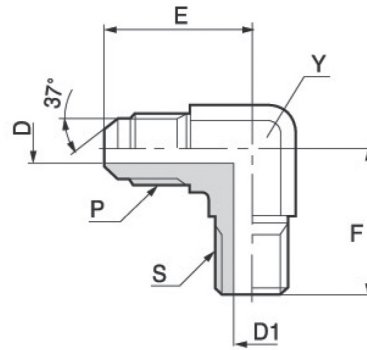
SAE 070202

MS51504

Part Number Information

Body only

All dimensions are in inches



PART NO	P (UNF/UN)	S (UNF/UN)	E	F	D	D1	Y
ProtecSN-90-04-02	7/16-20	1/8-27	0.89	0.78	0.172	0.188	7/16
ProtecSN-90-04-04	7/16-20	1/4-18	1.05	1.09	0.172	0.281	9/16
ProtecSN-90-04-06	7/16-21	3/8-18	1.13	1.22	0.172	0.406	3/4
ProtecSN-90-05-02	1/2-20	1/8-27	0.95	0.78	0.234	0.188	9/16
ProtecSN-90-05-04	1/2-20	1/4-18	1.06	1.09	0.234	0.281	9/16
ProtecSN-90-06-04	9/16-18	1/4-18	1.06	1.09	0.297	0.281	9/16
ProtecSN-90-06-06	9/16-18	3/8-18	1.14	1.22	0.297	0.406	3/4
ProtecSN-90-06-08	9/16-18	1/2-14	1.22	1.44	0.297	0.531	7/8
ProtecSN-90-08-04	3/4-16	1/4-18	1.25	1.16	0.391	0.281	3/4
ProtecSN-90-08-06	3/4-16	3/8-18	1.25	1.22	0.391	0.406	3/4
ProtecSN-90-08-08	3/4-16	1/2-14	1.33	1.47	0.391	0.531	7/8
ProtecSN-90-08-12	3/4-16	3/4-14	1.42	1.59	0.391	0.719	1 1/16
ProtecSN-90-10-06	7/8-14	3/8-14	1.45	1.3	0.484	0.406	7/8
ProtecSN-90-10-08	7/8-14	1/2-14	1.45	1.47	0.484	0.531	7/8
ProtecSN-90-10-12	7/8-14	3/4-14	1.53	1.59	0.484	0.719	1 1/16
ProtecSN-90-12-08	1 1/16-12	1/2-14	1.66	1.59	0.609	0.531	1 1/16
ProtecSN-90-12-12	1 1/16-12	3/4-14	1.66	1.59	0.609	0.719	1 1/16
ProtecSN-90-12-16	1 1/16-12	1-11 1/2	1.76	1.97	0.609	0.938	1 5/16
ProtecSN-90-14-12	1 3/16-12	3/4-12	1.8	1.69	0.719	0.719	1 5/16
ProtecSN-90-16-12	1 5/16-12	3/4-14	1.81	1.72	0.844	0.719	1 5/16
ProtecSN-90-16-16	1 5/16-12	1-11 1/2	1.81	1.97	0.844	0.938	1 5/16
ProtecSN-90-16-20	1 5/16-12	1 1/4-11 1/2	2.13	2.38	0.844	1.25	1 5/8
ProtecSN-90-20-16	1 5/8-12	1-11 1/2	2.06	2.06	1.078	0.938	1 5/8
ProtecSN-90-20-20	1 5/8-12	1 1/4-11 1/2	2.06	2.38	1.078	1.25	1 5/8
ProtecSN-90-24-24	1 7/8-12	1 1/2-11 1/2	2.33	2.64	1.312	1.5	1 7/8

ProtecSN-45

Flare tube end / Male pipe end

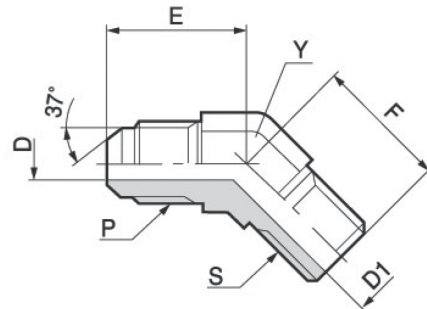
SAE 070302

MS51508

Part Number Information

Body only

All dimensions are in inches



PART NO	P (UNF/UN)	S (UNF/UN)	E	F	D	D1	Y
ProtecS N-45-04-02	7/16-20	1/8-27	0.72	0.64	0.172	0.188	7/16
ProtecSN-45-04-04	7/16-20	1/4-18	0.82	0.86	0.172	0.281	9/16
ProtecSN-45-05-02	1/2-20	1/8-27	0.77	0.64	0.234	0.188	9/16
ProtecSN-45-05-04	1/2-20	1/4-18	0.82	0.86	0.234	0.281	9/16
ProtecSN-45-06-04	9/16-18	1/4-18	0.83	0.86	0.297	0.281	9/16
ProtecSN-45-06-06	9/16-18	3/8-18	0.87	0.95	0.297	0.406	3/4
ProtecS N-45-06-08	9/16-18	1/2-14	1.06	1.17	0.297	0.531	7/8
ProtecS N-45-08-04	3/4-16	1/4-18	0.98	0.95	0.391	0.281	3/4
ProtecS N-45-08-06	3/4-16	3/8-18	0.98	0.95	0.391	0.406	3/4
ProtecSN-45-08-08	3/4-16	1/2-14	0.99	1.17	0.391	0.531	7/8
ProtecSN-45-08-12	3/4-16	3/4-14	1.18	1.2	0.391	0.719	1 1/16
ProtecS N-45-10-06	7/8-14	3/8-14	1.11	0.98	0.484	0.406	7/8
ProtecSN-45-10-10	7/8-14	1/2-14	1.11	1.17	0.484	0.531	7/8
ProtecS N-45-10-12	7/8-14	3/4-14	1.28	1.2	0.484	0.719	1 1/16
ProtecSN-45-12-08	1 1/16-12	1/2-14	1.28	1.2	0.609	0.531	1 1/16
ProtecSN-45-12-12	1 1/16-12	3/4-14	1.28	1.2	0.609	0.719	1 1/16
ProtecSN-45-12-16	1 1/16-12	1-11 1/2	1.42	1.48	0.609	0.938	1 5/16
ProtecSN-45-14-12	1 3/16-12	3/4-14	1.45	1.3	0.719	0.719	1 5/16
ProtecSN-45-16-12	1 5/16-12	3/4-14	1.47	1.29	0.844	0.719	1 5/16
ProtecSN-45-16-16	1 5/16-12	1-11 1/2	1.47	1.48	0.844	0.938	1 5/16
ProtecS N-45-20-20	1 5/8-12	1 1/4-11 1/2	1.59	1.67	1.078	1.25	1 5/8
ProtecS N-45-24-24	1 7/8-12	1 1/2-11 1/2	1.78	1.77	1.312	1.5	1 7/8

ProtecSN-TC

Flare tube ends/ Male pipe end

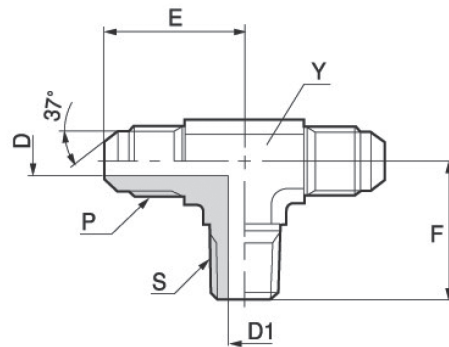
SAE 070425

MS51512

Part Number Information

Body only

All dimensions are in inches



PART NO	P (UNF/UN)	S (UNF/UN)	E	F	D	D1	Y
ProtecSN-TC-04-04-02	7/16-20	1/8-27	0.89	0.78	0.172	0.188	7/16
ProtecSN-TC-04-04-04	7/16-20	1/4-18	1.05	1.09	0.172	0.281	9/16
ProtecSN-TC-06-06-06	9/16-18	3/8-18	1.14	1.22	0.297	0.406	3/4
ProtecSN-TC-08-08-06	3/4-16	3/8-18	1.25	1.22	0.391	0.406	3/4
ProtecSN-TC-08-08-08	3/4-16	1/2-14	1.34	1.47	0.391	0.531	7/8
ProtecSN-TC-10-10-08	7/8-14	1/2-14	1.45	1.47	0.484	0.531	7/8
ProtecSN-TC-12-12-12	11/16-12	3/4-14	1.66	1.59	0.609	0.719	1 1/16
ProtecSN-TC-14-14-12	1 3/16-12	3/4-14	1.8	1.69	0.719	0.719	1 5/16
ProtecSN-TC-16-16-16	1 5/16-12	1-11 1/2	1.81	1.97	0.844	0.938	1 5/16
ProtecSN-TC-20-20-20	1 5/8-12	1 1/4-11 1/1	2.06	2.38	1.078	1.25	1 5/8

ProtecSN-TR

Flare tube ends/ Male pipe end

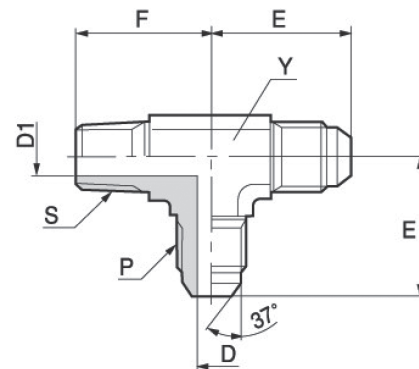
SAE 070424

MS51511

Part Number Information

Body only

All dimensions are in inches



PART NO	P (UNF/UN)	S (UNF/UN)	E	F	D	D1	Y
ProtecSN-TR-04-02-04	7/16-20	1/8-27	0.89	0.78	0.172	0.188	7/16
ProtecSN-TR-04-04-04	7/16-20	1/4-18	1.05	1.09	0.172	0.281	9/16
ProtecSN-TR-06-06-06	9/16-18	3/8-18	1.14	1.22	0.297	0.406	3/4
ProtecSN-TR-08-06-08	3/4-16	3/8-18	1.25	1.22	0.391	0.406	3/4
ProtecSN-TR-08-08-08	3/4-16	1/2-14	1.34	1.47	0.391	0.531	7/8
ProtecSN-TR-10-08-10	7/8-14	1/2-14	1.45	1.47	0.484	0.531	7/8
ProtecSN-TR-12-12-12	1 1/16-12	3/4-14	1.66	1.59	0.609	0.719	1 1/16
ProtecSN-TR-14-12-14	1 3/16-12	3/4-14	1.8	1.69	0.719	0.719	1 5/16
ProtecSN-TR-16-16-16	1 5/16-12	1-11 1/2	1.81	1.97	0.844	0.938	1 5/16
ProtecSN-TR-20-20-20	1 5/8-12	1 1/4-11 1/2	2.06	2.38	1.078	1.25	1 5/8

ProtecSN

Flare tube end / Male pipe end

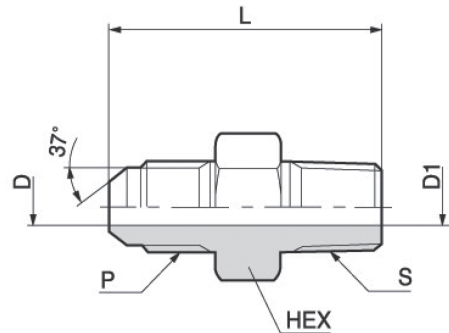
SAE 070102

MS51500

Part Number Information

Body only

All dimensions are in inches



PART NO	P (UNF/UN)	S (UNF/UN)	HEX	L	D	D1
ProtecSN-04-02	7/16-20	1/8-27	1/2	1.22	0.172	0.188
ProtecSN-04-04	7/16-20	1/4-18	9/16	1.42	0.172	0.281
ProtecSN-04-06	7/16-20	3/8-18	3/4	1.44	0.172	0.406
ProtecSN-05-02	1/2-20	1/8-27	9/16	1.22	0.234	0.188
ProtecSN-05-04	1/2-20	1/4-18	5/8	1.42	0.234	0.281
ProtecSN-06-04	9/16-18	1/4-18	5/8	1.43	0.297	0.281
ProtecSN-06-06	9/16-18	3/8-18	3/4	1.44	0.297	0.406
ProtecSN-06-08	9/16-18	1/2-14	7/8	1.69	0.297	0.531
ProtecSN-08-04	3/4-16	1/4-18	13/16	1.53	0.391	0.281
ProtecSN-08-06	3/4-16	3/8-18	13/16	1.53	0.391	0.406
ProtecSN-08-08	3/4-16	1/2-14	15/16	1.78	0.391	0.531
ProtecSN-08-12	3/4-16	3/4-14	1 1/8	1.85	0.391	0.719
ProtecSN-10-06	7/8-14	3/8-14	15/16	1.70	0.484	0.406
ProtecSN-10-08	7/8-14	1/2-14	15/16	1.89	0.484	0.531
ProtecSN-10-12	7/8-14	3/4-14	1 1/8	1.95	0.484	0.719
ProtecSN-12-08	1 1/16-12	1/2-14	1 1/8	2.06	0.609	0.531
ProtecSN-12-12	1 1/16-12	3/4-14	1 1/8	2.06	0.609	0.719
ProtecSN-12-16	1 1/16-12	1-11 1/2	1 3/8	2.25	0.609	0.938
ProtecSN-14-12	1 3/16-12	3/4-14	1 1/4	2.09	0.719	0.719
ProtecSN-16-12	1 5/16-12	3/4-14	1 3/8	2.11	0.844	0.719
ProtecSN-16-16	1 5/16-12	1-11 1/2	1 3/8	2.30	0.844	0.938
ProtecSN-20-16	1 5/8-12	1-11 1/2	1 11/16	2.42	1.078	0.938
ProtecSN-20-20	1 5/8-12	11/4-11 1/2	1 11/16	2.45	1.078	1.250
ProtecSN-24-24	1 7/8-12	11/2-11 1/2	2	2.67	1.312	1.500

ProtecSN-9L

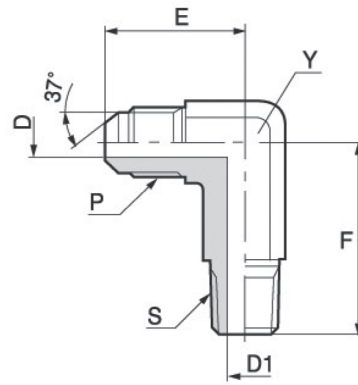
Flare tube end/ Long male pipe end

SAE 071502

Part Number Information

Body only

All dimensions are in inches



PART NO	P (UNF/UN)	S (UNF/UN)	E	F	D	D1	Y
ProtecSN-9L-04-02	7/16-20	1/8-27	0.89	1.17	0.172	0.188	7/16
ProtecSN-9L-04-04	7/16-20	1/4-18	1.05	1.56	0.172	0.281	9/16
ProtecSN-9L-05-02	1/2-20	1/8-27	0.95	1.22	0.234	0.188	9/16
ProtecSN-9L-06-04	9/16-18	1/4-18	1.06	1.56	0.297	0.281	9/16
ProtecSN-9L-08-06	3/4-16	3/8-18	1.25	1.78	0.391	0.406	3/4
ProtecSN-9L-08-08	3/4-16	1/2-14	1.34	2.16	0.391	0.531	7/8
ProtecSN-9L-10-08	7/8-14	1/2-14	1.45	2.16	0.484	0.531	7/8
ProtecSN-9L-12-12	1 1/16-12	3/4-14	1.66	2.41	0.609	0.719	1 1/16
ProtecSN-9L-16-16	1 5/16-12	1-11 1/2	1.81	2.97	0.844	0.938	1 5/16
ProtecSN-9L-20-20	1 5/8-12	1 1/4-11 1/2	2.06	3.66	1.078	1.25	1 5/8

ProtecSN-LL

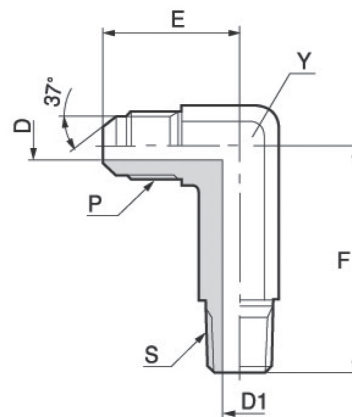
Flare tube end/ Extra long male pipe end

SAE 071602

Part Number Information

Body only

All dimensions are in inches



PART NO	P (UNF/UN)	S (UNF/UN)	E	F	D	D1	Y
ProtecSN-LL-04-02	7/16-20	1/8-27	0.89	1.56	0.172	0.188	7/16
ProtecSN-LL-04-04	7/16-20	1/4-18	1.05	2.07	0.172	0.281	9/16
ProtecSN-LL-05-02	1/2-20	1/8-27	0.97	1.63	0.234	0.188	9/16
ProtecSN-LL-06-04	9/16-18	1/4-18	1.06	1.63	0.297	0.281	9/16
ProtecSN-LL-08-06	3/4-16	3/8-18	1.25	2.34	0.391	0.406	3/4
ProtecSN-LL-08-08	3/4-16	1/2-14	1.34	2.84	0.391	0.531	7/8
ProtecSN-LL-10-08	7/8-14	1/2-14	1.45	2.84	0.484	0.531	7/8
ProtecSN-LL-12-12	1 1/16-12	3/4-14	1.66	3.22	0.609	0.719	1 1/16
ProtecSN-LL-16-16	1 5/16-12	1-11 1/2	1.81	3.97	0.844	0.938	1 5/16
ProtecSN-LL-20-20	1 5/8-12	1 1/4-11 1/2	2.06	4.94	1.078	1.25	1 5/8

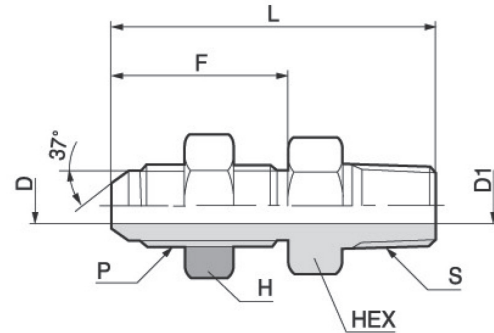
ProtecSH-NL

Flare tube end / Male pipe end

Part Number Information

Body with locknut

All dimensions are in inches



PART NO	P (UNF/UN)	S (UNF/UN)	HEX	L	F	D	D1	H
ProtecSH-NL-04-02	7/16-20	1/8-27	11/16	1.88	1.2	0.172	0.172	11/16
ProtecSH-NL-04-04	7/16-20	1/4-18	1/2	2.07	1.2	0.172	0.281	11/16
ProtecSH-NL-06-04	9/16-18	1/4-18	13/16	2.15	1.28	0.297	0.281	13/16
ProtecSH-NL-08-06	3/4-16	3/8-18	1	2.31	1.44	0.391	0.406	1
ProtecSH-NL-08-08	3/4-16	1/2-14	1	2.56	1.44	0.391	0.531	1
ProtecSH-NL-10-08	7/8-14	1/2-14	1 1/8	2.71	1.58	0.484	0.531	1 1/8
ProtecSH-NL-12-12	1 1/16-12	3/4-14	1 1/8	2.95	1.75	0.609	0.719	1 3/8
ProtecSN-NL-16-16	1 5/16-12	1-11 1/2	1 5/8	3.14	1.75	0.844	0.938	1 5/8

ProtecSH-90

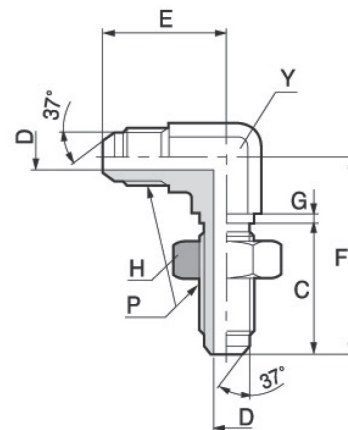
Flare tube end/ Flare tube end

SAE 070701

Part Number Information

Body with locknut

All dimensions are in inches



PART NO	P (UNF/UN)	E	F	D	C	G	H	Y
ProtecS H-90-04-04	7/16-20	0.97	1.59	0.172	1.02	0.09	11/16	7/16
ProtecSH-90-05-05	1/2-20	1.04	1.72	0.234	1.02	0.09	3/4	9/16
ProtecSH-90-06-06	9/16-18	1.09	1.81	0.297	1.09	0.09	13/16	9/16
ProtecS H-90-08-08	3/4-16	1.36	2.11	0.391	1.25	0.13	1	3/4
ProtecSH-90-10-10	7/8-14	1.56	2.39	0.484	1.39	0.13	1 1/8	7/8
ProtecSH-90-12-12	1 1/16-12	1.78	2.67	0.609	1.56	0.13	1 3/8	1 1/16
ProtecSH-90-14-14	1 3/16-12	1.92	2.80	0.719	1.56	0.13	1 1/2	1 5/16
ProtecS H-90-16-16	1 5/16-12	1.94	2.80	0.844	1.56	0.13	1 5/8	1 5/16
ProtecS H-90-20-20	1 5/8-12	2.17	3.13	1.078	1.61	0.13	1 7/8	1 5/8

ProtecSH-45

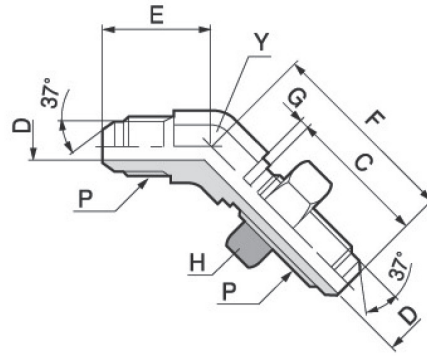
Flare tube end/ Flare tube end

SAE 070801

Part Number Information

Body with locknut

All dimensions are in inches



PART NO	P (UNFIUN)	E	F	D	C	G	H	Y
ProtecSH-45-04-04	7/16-20	0.72	1.53	0.172	1.02	0.09	11/16	7/16
ProtecSH-45-06-06	9/16-18	0.83	1.67	0.297	1.09	0.09	13/16	9/16
ProtecSH-45-08-08	3/4-16	0.98	1.94	0.391	1.25	0.13	1	3/4
ProtecSH-45-10-10	7/8-14	1.11	2.17	0.484	1.39	0.13	1 1/8	7/8
ProtecSH-45-12-12	1 1/16-12	1.28	2.44	0.609	1.56	0.13	1 3/8	1 1/16
ProtecSH-45-16-16	1 5/16-12	1.47	2.56	0.844	1.56	0.13	1 5/8	1 5/16

ProtecSH-TC

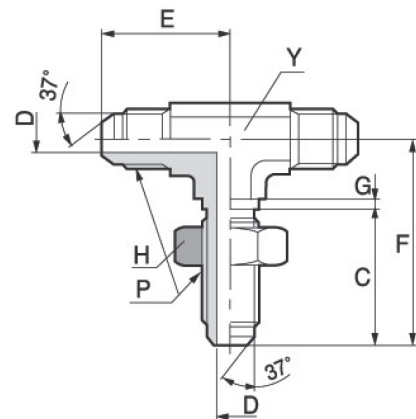
Flare tube end (all three ends)

SAE 070959

Part Number Information

Body with locknut

All dimensions are in inches



PART NO	P (UNFIUN)	E	F	D	C	G	H	Y
ProtecSH-TR-04-04-04	7/16-20	0.97	1.59	0.172	1.02	0.09	11/16	7/16
ProtecSH-TR-06-06-06	9/16-18	1.09	1.81	0.297	1.09	0.09	13/16	9/16
ProtecSH-TR-08-08-08	3/4-16	1.36	2.11	0.391	1.25	0.13	1	3/4
ProtecSH-TR-10-10-10	7/8-14	1.56	2.39	0.484	1.39	0.13	1 1/8	7/8
ProtecSH-TR-12-12-12	1 1/16-12	1.78	2.67	0.609	1.56	0.13	1 3/8	1 1/16

ProtecSH-TR

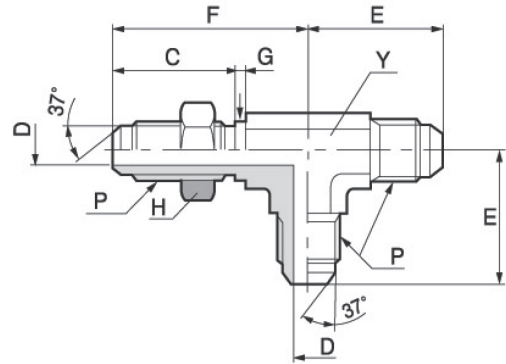
Flare tube end (all three ends)

SAE 070958

Part Number Information

Body with locknut

All dimensions are in inches



PART NO	P (UNF/UN)	E	F	D	C	G	H	Y
ProtecSH-TR-04-04-04	7/16-20	0.97	1.59	0.172	1.02	0.09	11/16	7/16
ProtecSH-TR-06-06-06	9/16-18	1.09	1.81	0.297	1.09	0.09	13/16	9/16
ProtecSH-TR-08-08-08	3/4-16	1.36	2.11	0.391	1.25	0.13	1	3/4
ProtecSH-TR-10-10-10	7/8-14	1.56	2.39	0.484	1.39	0.13	1 1/8	7/8
ProtecSH-TR-12-12-12	1 1/16-12	1.78	2.67	0.609	1.56	0.13	1 3/8	1 1/16

ProtecSH

Flare tube end / Flare tube end

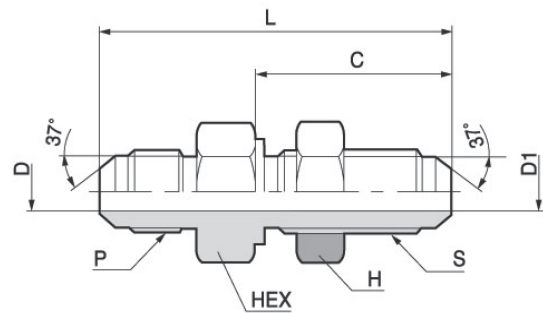
SAE 070601

MS51520

Part Number Information

Body with locknut

All dimensions are in inches



PART NO	P-S (UNF/UN)	HEX	L	F	D	H
ProtecSH-04-04	7/16-20	11/16	2.07	1.2	0.172	11/16
ProtecSH-05-05	1/2-20	3/4	2.07	1.2	0.234	3/4
ProtecSH-06-06	9/16-18	13/16	2.18	1.28	0.297	13/16
ProtecSH-08-08	3/4-16	1	2.44	1.44	0.391	1
ProtecSH-10-10	7/8-14	1 1/8	2.74	1.58	0.484	1 1/8
ProtecSH-12-12	1 1/16-12	1 3/8	3.09	1.75	0.609	1 3/8
ProtecSH-14-14	1 3/16-12	1 1/2	3.12	1.75	0.718	1 1/2
ProtecSH-16-16	1 5/16-12	1 5/8	3.14	1.75	0.844	1 5/8
ProtecSH-20-20	1 5/8-12	2	3.31	1.8	1.078	2
ProtecSH-24-24	1 7/8-12	2 3/8	3.52	1.81	1.312	2 3/8

ProtecSV-90

Flare tube end/ Swivel nut end

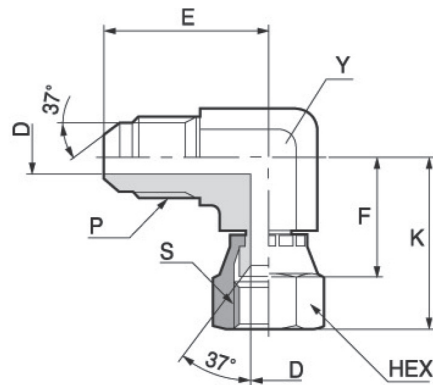
SAE 070221

MS51521

Part Number Information

Body with swivelnut

All dimensions are in inches



PART NO	P (UNF/UN)	S (UNF/UN)	E	F	D	K	HEX	Y
ProtecS V-90-04-04	7/16-20	7/16-20	0.89	0.66	0.172	1	9/16	7/16
ProtecSV-90-05-05	1/2-20	1/2-20	0.95	0.78	0.234	1.06	5/8	9/16
ProtecS V-90-06-06	9/16-18	9/16-18	1.06	0.88	0.297	1.25	11/16	9/16
ProtecS V-90-08-08	3/4-16	3/4-16	1.25	0.95	0.391	1.38	7/8	3/4
ProtecS V-90-10-10	7/8-14	7/8-14	1.45	1.13	0.484	1.62	1	7/8
ProtecSV-90-12-12	1 1/16-12	1 1/16-12	1.66	1.19	0.609	1.75	1 1/4	1 1/16
ProtecSV-90-14-14	1 3/16-12	1 3/16-12	1.8	1.33	0.718	1.78	1 3/8	1 5/16
ProtecSV-90-16-16	1 5/16-12	1 5/16-12	1.81	1.41	0.844	2	1 1/2	1 5/16
ProtecSV-90-20-20	1 5/8-12	1 5/8-12	2.06	1.69	1.078	2.31	2	1 5/8
ProtecSV-90-24-24	1 5/8-12	1 5/8-12	2.33	1.86	1.312	2.59	2 1/4	1 7/8

ProtecSV-45

Flare tube end/ Swivel nut end

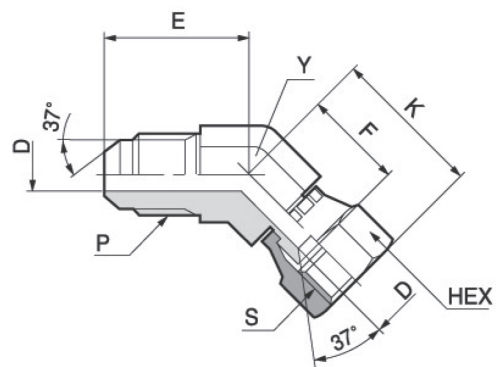
SAE 070321

MS51522

Part Number Information

Body with swivelnut

All dimensions are in inches



PART NO	P (UNF/UN)	S (UNF/UN)	E	F	D	K	HEX	Y
ProtecSV-45-04-04	7/16-20	7/16-20	0.72	0.59	0.172	0.94	9/16	7/16
ProtecSV-45-05-05	1/2-20	1/2-20	0.77	0.63	0.234	1	5/8	9/16
ProtecSV-45-06-06	9/16-18	9/16-18	0.83	0.75	0.297	1.12	11/16	9/16
ProtecSV-45-08-08	3/4-16	3/4-16	0.98	0.86	0.391	1.28	7/8	3/4
ProtecSV-45-10-10	7/8-14	7/8-14	1.11	0.94	0.484	1.44	1	7/8
ProtecSV-45-12-12	1 1/16-12	1 1/16-12	1.28	0.94	0.609	1.5	1 1/4	1 1/16
ProtecSV-45-14-14	1 3/16-12	1 3/16-12	1.45	1.09	0.718	1.62	1 3/8	1 5/16
ProtecSV-45-16-16	1 5/16-12	1 5/16-12	1.47	1.16	0.844	1.75	1 1/2	1 5/16
ProtecS V-45-20-20	1 5/8-12	1 5/8-12	1.59	1.41	1.078	2.03	2	1 5/8
ProtecS V-45-24-24	1 5/8-12	1 5/8-12	1.78	1.52	1.312	2.25	2 1/4	1 7/8

ProtecSV-TC

Flare tube ends/ Swivel nut end

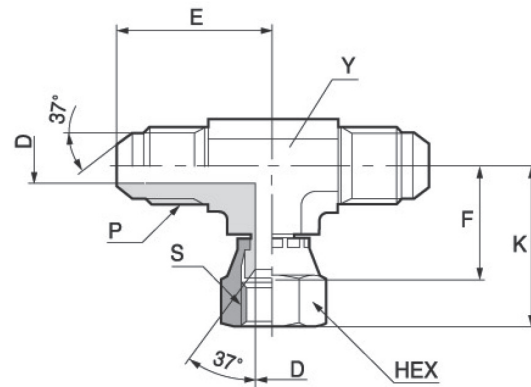
SAE 070433

MS51524

Part Number Information

Body with swivelnut

All dimensions are in inches



PART NO	P (UNF/UN)	S (UNF/UN)	E	F	D	K	HEX	Y
ProtecSV-TC-04-04-04	7/16-20	7/16-20	0.89	0.66	0.172	1	9/16	7/16
ProtecSV-TC-05-05-05	1/2-20	1/2-20	0.95	0.78	0.234	1.06	5/8	9/16
ProtecSV-TC-06-06-06	9/16-18	9/16-18	1.06	0.88	0.297	1.25	11/16	9/16
ProtecSV-TC-08-08-08	3/4-16	3/4-16	1.25	0.95	0.391	1.38	7/8	3/4
ProtecSV-TC-10-10-10	7/8-14	7/8-14	1.45	1.13	0.484	1.62	1	7/8
ProtecSV-TC-12-12-12	1 1/16-12	1 1/16-12	1.66	1.19	0.609	1.75	1 1/4	1 1/16
ProtecSV-TC-14-14-14	1 3/16-12	1 3/16-12	1.8	1.33	0.718	1.78	1 3/8	1 5/16
ProtecSV-TC-16-16-16	1 5/8-12	1 5/8-12	1.81	1.41	0.844	2	1 1/2	1 5/16
ProtecSV-TC-20-20-20	1 5/8-12	1 5/8-12	2.06	1.69	1.078	2.31	2	1 5/8

ProtecSV-TR

Flare tube ends/ Swivel nut end

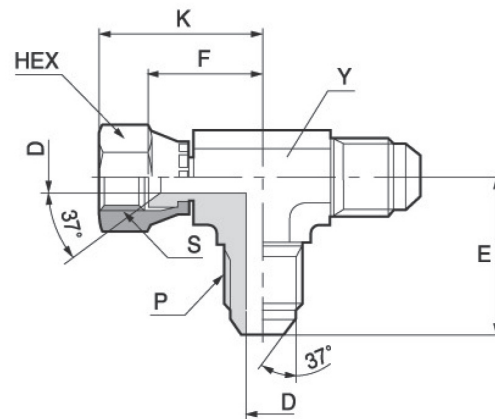
SAE 070432

MS51523

Part Number Information

Body with swivelnut

All dimensions are in inches

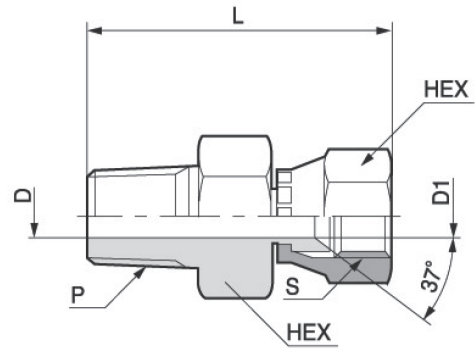


PART NO	P (UNF/UN)	S (UNF/UN)	E	F	D	K	HEX	Y
ProtecSV-TR-04-04-04	7/16-20	7/16-20	0.89	0.66	0.172	1	9/16	7/16
ProtecSV-TR-05-05-05	1/2-20	1 2-20	0.95	0.78	0.234	1.06	5/8	9/16
ProtecSV-TR-06-06-06	9/16-18	9/16-18	1.06	0.88	0.297	1.25	11/16	9/16
ProtecSV-TR-08-08-08	3/4-16	314-16	1.25	0.95	0.391	1.38	7/8	3/4
ProtecSV-TR-10-10-10	7/8-14	718-14	1.45	1.13	0.484	1.62	1	7/8
ProtecSV-TR-12-12-12	1 1/16-12	1 1/16-12	1.66	1.19	0.609	1.75	1 1/4	1 1/16
ProtecSV-TR-14-14-14	1 3/16-12	1 3/16-12	1.8	1.33	0.718	1.78	1 3/8	1 5/16
ProtecSV-TR-16-16-16	1 5/16-12	1 5/16-12	1.81	1.41	0.844	2	1 1/2	1 5/16
ProtecSV-TR-20-20-20	1 5/8-12	1 5/8-12	2.06	1.69	1.078	2.31	2	1 5/8

ProtecNV

Flare tube ends/ Male pipe end

Part Number Information
 Body with swivel nut
 All dimensions are in inches

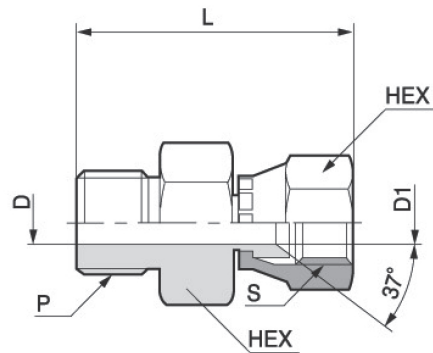


PART NO	S (UNF/UN)	P (UNF/UN)	HEX	L	D	D1
ProtecNV-04-04	7/16-20	1/4-18	9/16	1.46	0.172	0.172
ProtecNV-05-04	1/2-20	1/4-18	5/8	1.57	0.234	0.281
ProtecNV-06-04	9/16-18	1/4-18	11/16	1.59	0.297	0.297
ProtecNV-06-06	9/16-18	3/8-18	11/16	1.59	0.281	0.281
ProtecNV-08-06	3/4-16	3/8-18	7/8	1.69	0.391	0.391
ProtecNV-10-08	7/8-14	1/2-14	1	2.05	0.484	0.484
ProtecNV-10-06	7/8-14	3/8-14	1	1.87	0.484	0.406
ProtecNV-12-12	1 1/16-12	3/4-14	1 1/4	2.15	0.609	0.609
ProtecNV-16-16	1 5/16-12	1-11 1/2	1 1/2	2.50	0.844	0.844
ProtecNV-20-20	1 5/8-12	11/4-11 1/2	2	2.76	1.078	1.078

ProtecBV

Flare tube ends/ Straight thread O-ring

Part Number Information
 Body with swivel nut
 All dimensions are in inches



PART NO	P (UNF/UN)	S (UNF/UN)	HEX	L	D	H
ProtecBV-06-06	9/16-18	9/16-18	11/16	1.43	0.297	11/16
ProtecBV-08-08	3/4-16	3/4-16	7/8	1.61	0.391	7/8
ProtecBV-10-10	7/8-14	7/8-14	1 1/16	1.84	0.484	1
ProtecBV-12-12	11/16-12	1 1/16-12	1 1/4	2.07	0.609	1 1/4

ProtecSFN-90

Flare tube end / Female pipe end

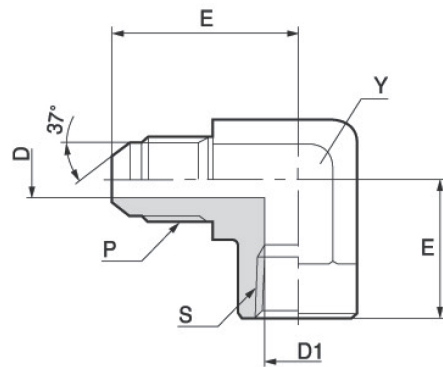
SAE 070203

MS51506

Part Number Information

Body only

All dimensions are in inches



PART NO	P (UNF/UN)	S (NPTF)	E	F	D	D1	Y
ProtecS FN-90-04-02	7/16-20	1/8-27	1.08	0.66	0.172	0.328	9/16
ProtecS FN-90-04-04	7/16-20	1/4-18	1.22	0.88	0.172	0.422	3/4
ProtecS FN-90-05-02	1/2-20	1/8-27	1.08	0.66	0.234	0.328	9/16
ProtecS FN-90-05-04	1/2-20	1/4-18	1.22	0.88	0.234	0.422	3/4
ProtecS FN-90-06-04	9/16-18	1/4-18	1.23	0.88	0.297	0.422	3/4
ProtecS FN-90-06-06	9/16-18	3/8-18	1.31	1.02	0.297	0.563	7/8
ProtecS FN-90-08-06	3/4-16	3/8-18	1.42	1.02	0.391	0.563	7/8
ProtecS FN-90-08-08	3/4-16	1/2-14	1.52	1.23	0.391	0.688	1 1/16
ProtecS FN-90-10-08	7/8-14	1/2-14	1.64	1.23	0.484	0.688	1 1/16
ProtecS FN-90-12-12	1 1/16-12	3/4-14	1.89	1.36	0.609	0.891	1 5/16
ProtecS FN-90-14-12	1 3/16-12	3/4-14	1.86	1.42	0.718	0.891	1 5/16
ProtecS FN-90-16-16	1 5/16-12	1-11 1/2	2.17	1.62	0.844	1.125	1 5/8
ProtecSFN-90-20-20	1 5/8-12	1 1/4-11 1/2	2.33	1.7	1.078	1.469	1 7/8
ProtecSFN-90-24-24	1 7/8-12	1 1/2-11 1/2	2.89	2.08	1.312	1.703	2 1/2

ProtecSFN-TC

Flare tube ends/ Female pipe end

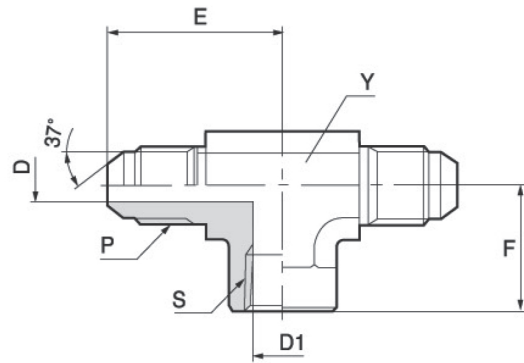
SAE 070427

MS51513

Part Number Information

Body only

All dimensions are in inches



PART NO	P (UNF/UN)	S (NPTF)	E	F	D	D1	Y
ProtecSFN-TC-04-04-02	7/16-20	1/8-27	1.08	0.66	0.172	0.328	9/16
ProtecSFN-TC-04-04-04	7/16-20	1/4-18	1.13	0.88	0.172	0.422	3/4
ProtecSFN-TC-05-05-02	1/2-20	1/8-27	1.08	0.66	0.234	0.328	9/16
ProtecSFN-TC-06-06-04	9/16-18	1/4-18	1.23	0.88	0.234	0.422	3/4
ProtecSFN-TC-08-08-06	3/4-16	3/8-18	1.42	1.02	0.297	0.422	3/4
ProtecSFN-TC-10-10-08	7/8-14	1/2-14	1.64	1.23	0.297	0.563	7/8
ProtecSFN-TC-12-12-12	1 1/16-12	3/4-14	1.89	1.02	0.391	0.563	7/8
ProtecSFN-TC-14-14-12	1 3/16-12	3/4-14	1.86	1.23	0.391	0.688	1 1/16
ProtecSFN-TC-16-16-16	1 5/16-12	1-11 1/2	2.17	1.23	0.484	0.688	1 1/16
ProtecSFN-TC-20-20-20	1 5/8-12	1 1/4-11 1/2	2.33	1.36	0.609	0.891	1 5/16
ProtecSFN-TC-24-24-24	1 7/8-12	1 1/2-11 1/2	2.89	1.42	0.718	0.891	1 5/16

ProtecSFN-TR

Flare tube ends/ Female pipe end

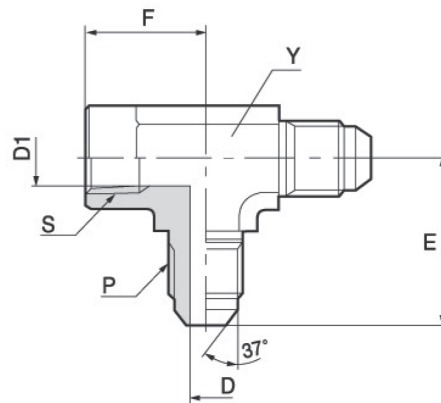
SAE 070426

MS51514

Part Number Information

Body only

All dimensions are in inches



PART NO	P (UNF/UN)	S (NPTF)	E	F	D	D1	Y
ProtecSFN-TR-04-02-04	7/16-20	1/8-27	1.08	0.66	0.172	0.328	9/16
ProtecSFN-TR-04-04-04	7/16-20	1/4-18	1.13	0.88	0.172	0.422	3/4
ProtecSFN-TR-05-02-05	1/2-20	1/8-27	1.08	0.66	0.234	0.328	9/16
ProtecSFN-TR-06-04-06	9/16-18	1/4-18	1.23	0.88	0.297	0.422	3/4
ProtecSFN-TR-08-06-08	3/4-16	3/8-18	1.42	1.02	0.391	0.563	7/8
ProtecSFN-TR-10-08-10	7/8-14	1/2-14	1.64	1.23	0.484	0.688	1 1/16
ProtecSFN-TR-12-12-12	1 1/16-12	3/4-14	1.89	1.36	0.609	0.891	1 5/16
ProtecSFN-TR-14-12-14	1 3/16-12	3/4-14	1.86	1.42	0.718	0.891	1 5/16
ProtecSFN-TR-16-16-16	1 5/16-12	1-11 1/2	2.17	1.62	0.844	1.125	1 5/8
ProtecSFN-TR-20-20-20	1 5/8-12	1 1/4-11 1/2	2.33	1.7	1.078	1.469	1 7/8
ProtecSFN-TR-24-24-24	1 7/8-12	1 1/2-11 1/2	2.89	2.08	1.312	1.703	2 1/2

ProtecSFN

Flare tube end / Female pipe end

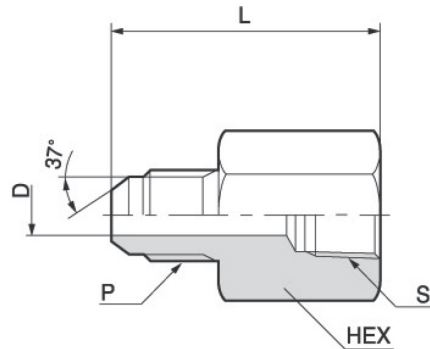
SAE 070103

MS51503

Part Number Information

Body only

All dimensions are in inches



PART NO	P (UNF/UN)	S (NPTF)	HEX	L	D
ProtecSFN-04-02	7/16-20	1/8-27	9/16	1.19	0.172
ProtecSFN-04-04	7/16-20	1/4-18	3/4	1.39	0.172
ProtecSFN-05-02	1/2-20	1/8-27	9/16	1.17	0.234
ProtecSFN-05-04	1/2-20	1/4-18	3/4	1.39	0.234
ProtecSFN-06-04	9/16-18	1/4-18	3/4	1.40	0.297
ProtecSFN-06-06	9/16-18	3/8-18	7/8	1.47	0.297
ProtecSFN-08-06	3/4-16	3/8-18	7/8	1.56	0.391
ProtecSFN-08-08	3/4-16	1/2-14	1 1/8	1.79	0.391
ProtecSFN-10-08	7/8-14	1/2-14	1 1/8	1.89	0.484
ProtecSFN-12-08	1 1/16-12	1/2-14	1 1/8	1.91	0.609
ProtecSFN-12-12	1 1/16-12	3/4-14	1 3/8	2.06	0.609
ProtecSFN-14-12	1 3/16-12	3/4-14	1 3/8	2.06	0.718
ProtecSFN-16-16	1 5/16-12	1-11 1/2	1 5/8	2.35	0.844
ProtecSFN-20-20	1 5/8-12	1 1/4-11 1/2	2	2.49	1.078
ProtecSFN-24-24	1 7/8-12	1 1/2-11 1/2	2 3/8	2.62	1.312

ProtecSH-FN

Flare tube ends/ Female pipe end

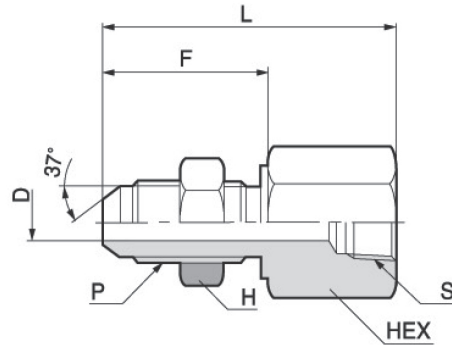
SAE 070427

MS51513

Part Number Information

Body only

All dimensions are in inches



PART NO	P (UNF/UN)	S (NPTF)	L	F	D	H	HEX
ProtecSH-FN-04-04	7/16-20	1/4-18	2.11 1.33	2.11 1.33	0.172	3/4	3/4
ProtecSH-FN-06-04	9/16-18	1/4-18	2.12 1.28	2.12 1.28	0.297	13/16	13/16
ProtecSH-FN-08-06	3/4-16	3/8-18	2.34 1.44	2.34 1.44	0.391	1	1
ProtecSH-FN-10-08	7/8-14	1/2-14	2.71 1.58	2.71 1.58	0.484	1 1/8	1 1/8
ProtecSH-FN-12-12	1 1/16-12	3/4-14	2.95 1.75	2.95 1.75	0.609	1 3/8	1 3/8
ProtecSH-FN-14-12	1 3/16-12	3/4-14	2.92 1.75	2.92 1.75	0.718	1 1/2	1 1/2
ProtecSH-FN-16-16	1 5/16-12	1-11 12	3.19 1.75	3.19 1.75	0.844	1 5/8	1 5/8

ProtecPS

Flare tube end

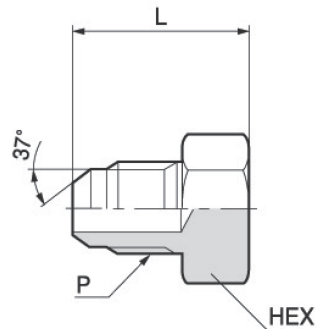
SAE 070109

MS51518

Part Number Information

ProtecPS Plug

All dimensions are in inches



PART NO	P (UNF/UN)	HEX	L
ProtecPS-04	7/16-20	1/2	0.80
ProtecPS-05	1/2-20	9/16	0.80
ProtecPS-06	9/16-18	5/8	0.84
ProtecPS-08	3/4-16	13/16	0.94
ProtecPS-10	7/8-14	15/16	1.10
ProtecPS-12	1 1/16-12	1 1/8	1.28
ProtecPS-14	1 3/16-12	1 1/4	1.31
ProtecPS-16	1 5/16-12	1 3/8	1.33
ProtecPS-20	1 5/8-12	1 11/16	1.45
ProtecPS-24	1 7/8-12	2	1.66

ProtecFNUT

Flare tube end nut

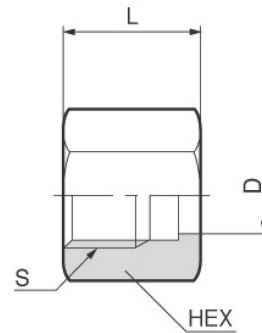
SAE 070110

MS51531

Part Number Information

ProtecFNUT Nut

All dimensions are in inches



PART NO	S (UNF/UN)	HEX	L	D
ProtecFNUT-04	7/16-20	9/16	0.62	0.31
ProtecFNUT-05	1/2-20	5/8	0.68	0.38
ProtecFNUT-06	9/16-18	11/16	0.73	0.44
ProtecFNUT-08	3/4-16	7/8	0.85	0.57
ProtecFNUT-10	7/8-14	1	0.98	0.70
ProtecFNUT-12	1 1/16-12	1 1/4	1.03	0.84
ProtecFNUT-14	1 3/16-12	1 3/8	1.09	0.96
ProtecFNUT-16	1 5/16-12	1 1/2	1.13	1.09
ProtecFNUT-20	1 5/8-12	2	1.23	1.35
ProtecFNUT-24	1 7/8-12	2 1/4	1.42	1.62

ProtecFCAP

Flare tube end cap

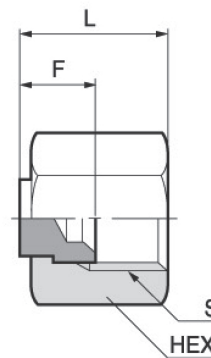
SAE 070112

MS51532

Part Number Information

ProtecFCAP Cap

All dimensions are in inches



PART NO	S (UNF/UN)	HEX	L	F
ProtecFCAP-04	7/16-20	9/16	0.67	0.34
ProtecFCAP-05	1/2-20	5/8	0.77	0.41
ProtecFCAP-06	9/16-18	11/16	0.81	0.47
ProtecFCAP-08	3/4-16	7/8	0.94	0.53
ProtecFCAP-10	7/8-14	1	1.07	0.53
ProtecFCAP-12	1 1/16-12	1 1/4	1.24	0.66
ProtecFCAP-14	1 3/16-12	1 3/8	1.26	0.63
ProtecFCAP-16	1 5/16-12	1 1/2	1.29	0.63
ProtecFCAP-20	1 5/8-12	2	1.39	0.75
ProtecFCAP-24	1 7/8-12	2 1/4	1.70	0.94

ProtecUN

Bulkhead fitting lock nut

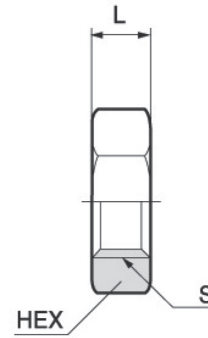
SAE 070118

MS51860

Part Number Information

ProtecUN Bulkhead locknut

All dimensions are in inches



PART NO	S (UNF/UN)	HEX	L
ProtecUN-04	7/16-20	11/16	0.25
ProtecUN-05	1/20-20	3/4	0.25
ProtecUN-06	9/16-18	13/16	0.27
ProtecUN-08	3/4-16	1	0.31
ProtecUN-10	7/8-14	1 1/8	0.36
ProtecUN-12	1 1/16-12	1 3/8	0.41
ProtecUN-14	1 3/16-12	1 1/2	0.41
ProtecUN-16	1 5/16-12	1 5/8	0.41
ProtecUN-20	1 5/8-12	1 7/8	0.41
ProtecUN-24	1 7/8-12	2 1/2	0.41