

30° Face Tube Fittings

Part. 02

| Specifications

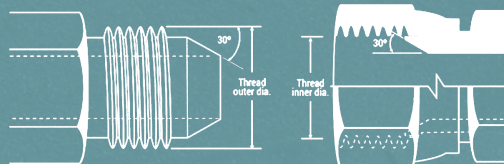
JIS fittings are typically used as hose adapters on equipment designed and/or manufactured in Japan and Korea.

JIS adapters are designed with 30° flare and 60°

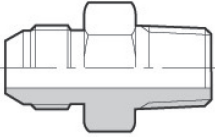
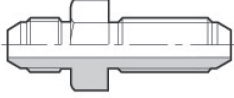
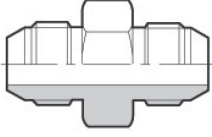
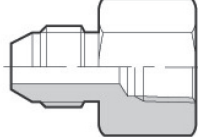
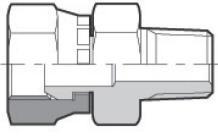
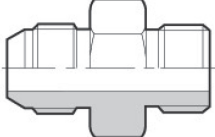
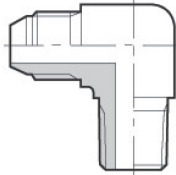
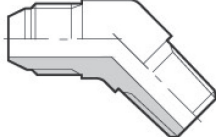
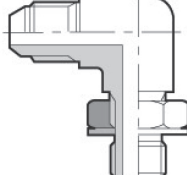
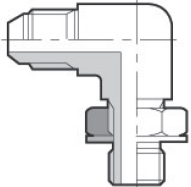
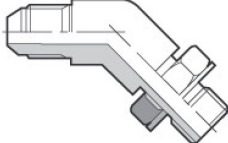
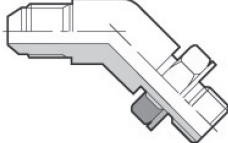
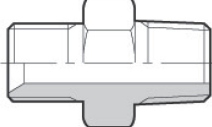
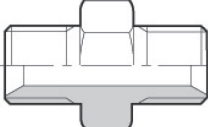
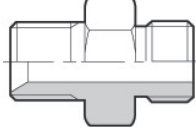
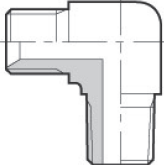
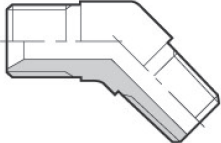
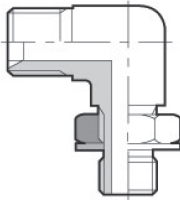
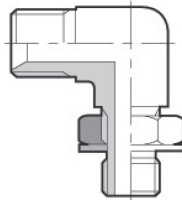
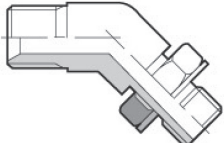
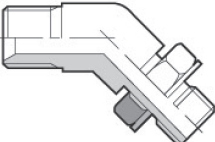
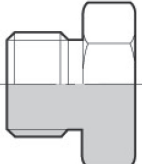

cone connections and typically incorporate BSP threads.

| Features

- Size Range: 1/8" to 2"
- Design Standard: BS 5200/JIS B8363
- Material: Steel/Stainless / Brass



30°Face Tube Fittings Index

<p>ProtecS3-SN • P.35</p> 	<p>ProtecS3-SL • P.35</p> 	<p>ProtecS3S • P.36</p> 	<p>ProtecS3F • P.36</p> 	<p>ProtecVN • P.37</p> 
<p>ProtecS3-SB • P.37</p> 	<p>ProtecS3-N9 • P.38</p> 	<p>ProtecS3-N4 • P.39</p> 	<p>ProtecS3-W9 • P.40</p> 	<p>ProtecU3-W9 • P.40</p> 
<p>ProtecS3-W4 • P.41</p> 	<p>ProtecU3-W4 • P.41</p> 	<p>Protech3-HN • P.42</p> 	<p>Protech3H • P.43</p> 	<p>Protech3-HB • P.43</p> 
<p>Protech3-N9 • P.44</p> 	<p>Protech3-N4 • P.45</p> 	<p>Protech3-W9 • P.45</p> 	<p>ProtechU-W9 • P.46</p> 	<p>Protech3-W4 • P.46</p> 
<p>ProtechU-W4 • P.47</p> 	<p>ProtecOG • P.47</p> 	<p>ProtecPNUT • P.48</p> 		

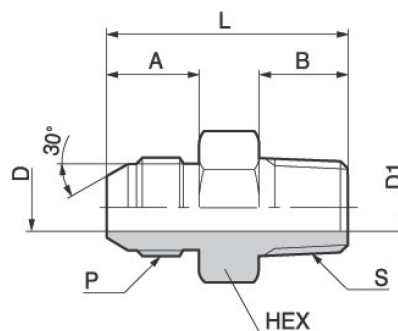
ProtecS3-SN

Flare tube end / Male pipe end

Part Number Information

Body only

All dimensions are in millimeters



PART NO	P (PF)	S (PT)	HEX	L	A	B	D	D1
ProtecS3-SN-02-02	1/8-28	1/8-28	14	30	12	10	3	3
ProtecS3-SN-02-04	1/8-28	1/4-19	17	33	12	13	3	5
ProtecS3-SN-04-02	1/4-19	1/8-28	19	32	14	10	5	3
ProtecS3-SN-04-04	1/4-19	1/4-19	19	35	14	13	5	5
ProtecS3-SN-04-06	1/4-19	3/8-19	22	38	14	15	5	8
ProtecS3-SN-06-04	3/8-19	1/4-19	22	38	16	13	8	5
ProtecS3-SN-06-06	3/8-19	3/8-19	22	40	16	15	8	8
ProtecS3-SN-06-08	3/8-19	1/2-14	27	44	16	18	8	11
ProtecS3-SN-08-06	1/2-14	3/8-19	27	44	19	15	11	8
ProtecS3-SN-08-08	1/2-14	1/2-14	27	47	19	18	11	11
ProtecS3-SN-08-12	1/2-14	3/4-14	36	51	19	20	11	16
ProtecS3-SN-12-08	3/4-14	1/2-14	36	51	21	18	16	11
ProtecS3-SN-12-12	3/4-14	3/4-14	36	53	21	20	16	16
ProtecS3-SN-12-16	3/4-14	1-11	41	56	21	22	16	22
ProtecS3-SN-16-12	1-11	3/4-14	41	56	23	20	22	16
ProtecS3-SN-16-16	1-11	1-11	41	58	23	22	22	22
ProtecS3-SN-20-20	1 1/4-11	1 1/4-11	46	66	27	25	28	28
ProtecS3-SN-24-24	1 1/2-11	1 1/2-11	50	67	27	25	34	34

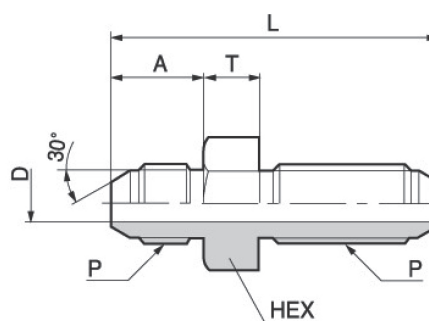
ProtecS3-SL

Flare tube end / Flare tube end

Part Number Information

Body only

All dimensions are in millimeters



PART NO	P (PF)	HEX	L	D	A	T
ProtecS3-SL-04-04	1/4-19	22	55	5	14	9
ProtecS3-SL-06-06	3/8-19	24	60	8	16	11
ProtecS3-SL-08-08	1/2-14	30	71	11	19	12
ProtecS3-SL-12-12	3/4-14	41	79	16	21	17
ProtecS3-SL-16-16	1-11	46	87	22	23	19

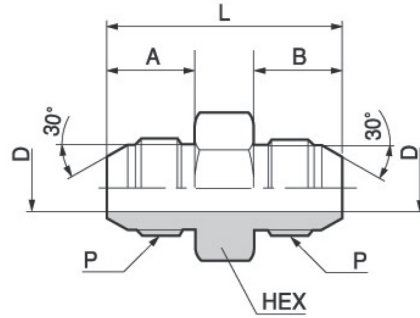
ProtecS3S

Flare tube end/ Flare tube end

Part Number Information

Body only

All dimensions are in millimeters



PART NO	P (PF)	HEX	L	D	A, B
ProtecS3S-02-02	1/8-28	14	30.5	3	12
ProtecS3S-04-04	1/4-19	19	36	5	14
ProtecS3S-06-06	3/8-19	22	42	8	16
ProtecS3S-08-08	1/2-14	27	48	11	19
ProtecS3S-12-12	3/4-14	36	54	16	21
ProtecS3S-16-16	1-11	41	59	22	23
ProtecS3S-20-20	1 1/4-11	46	68	28	27
ProtecS3S-24-24	1 1/2-11	50	70	34	27

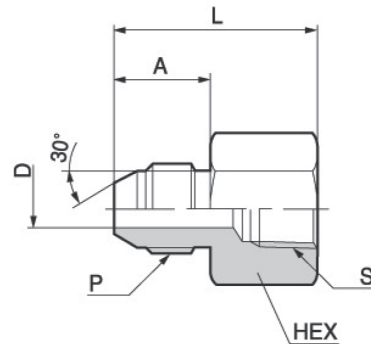
ProtecS3F

Flare tube end/ Female pipe end

Part Number Information

Body only

All dimensions are in millimeters



PART NO	P (PF)	S (PT)	HEX	L	D	A
ProtecS3F-02-02	1/8-28	1/8-28	14	27	3	12
ProtecS3F-04-04	1/4-19	1/4-19	19	29	5	14
ProtecS3F-06-06	3/8-19	3/8-19	22	35	8	16
ProtecS3F-08-08	1/2-14	1/2-14	27	41	11	19
ProtecS3F-12-12	3/4-14	3/4-14	36	46	16	21
ProtecS3F-16-16	1-11	1-11	41	51	22	23

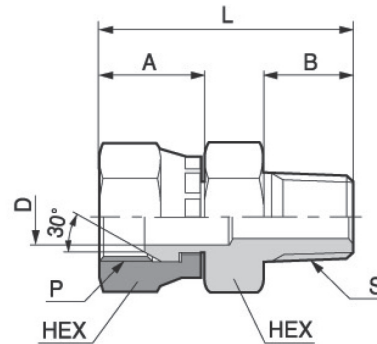
ProtecVN

Swivel nut end/ Female pipe end

Part Number Information

Body with swivelnut

All dimensions are in millimeters



PART NO	P (PF)	S (PT)	HEX	L	D	A	B
ProtecVN-02-02	1/8-28	1/8-28	14	34	3	16	10
ProtecVN-04-04	1/4-19	1/4-19	19	39	5	17.5	13
ProtecVN-06-06	3/8-19	3/8-19	22	44	8	19.5	15
ProtecVN-08-08	1/2-14	1/2-14	27	51.5	11	23.5	18
ProtecVN-12-12	3/4-14	3/4-14	36	55.5	16	24	20
ProtecVN-16-16	1-11	1-11	41	62	22	27	22

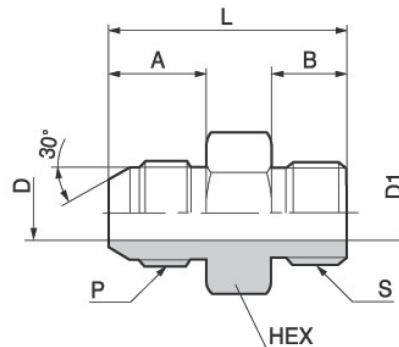
ProtecS3-SB

Flare tube end | Straight thread O-ring

Part Number Information

Body with O-ring

All dimensions are in millimeters



PART NO	P (PF)	S (PF)	HEX	L	D	D1	A	B
ProtecS3-SB-04-04	1/4-19	1/4-19	19	33	5	5	14	11
ProtecS3-SB-04-06	1/4-19	3/8-19	22	33	5	5	14	11
ProtecS3-SB-06-06	3/8-19	3/8-19	22	35	8	8	16	11
ProtecS3-SB-06-08	3/8-19	1/2-14	27	42	8	8	16	15
ProtecS3-SB-08-08	1/2-14	1/2-14	27	44	11	11	19	15
ProtecS3-SB-08-12	1/2-14	3/4-14	32	45	11	11	19	16
ProtecS3-SB-12-12	3/4-14	3/4-14	32	47	16	16	21	16
ProtecS3-SB-12-16	3/4-14	1-11	41	53	16	16	21	20
ProtecS3-SB-16-16	1-11	1-11	46	55	22	22	23	20
ProtecS3-SB-16-20	1-11	1/4-11	50	57	22	28	23	20
ProtecS3-SB-20-20	1 1/4-11	1 1/4-11	50	62	28	28	27	20
ProtecS3-SB-24-24	1 1/2-11	1 1/2-11	60	62	34	34	27	20

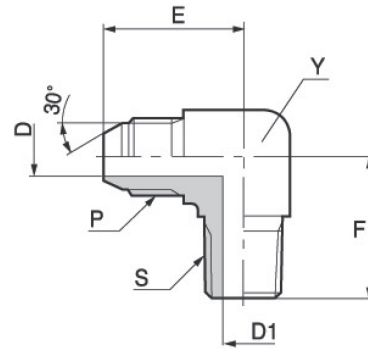
ProtecS3-N9

Flare tube end/ Male pipe end

Part Number Information

Body only

All dimensions are in millimeters



PART NO	P (PF)	S (PT)	E	F	D	D1	Y
ProtecS3-N9-02-02	1/8-28	1/8-28	21.5	22	3	3	14
ProtecS3-N9-02-04	1/8-28	1/4-19	23	26.5	3	5	17
ProtecS3-N9-04-02	1/4-19	1/8-28	24	22.5	5	3	17
ProtecS3-N9-04-04	1/4-19	1/4-19	24	26.5	5	5	17
ProtecS3-N9-04-06	1/4-19	3/8-19	29	30	5	8	19
ProtecS3-N9-06-04	3/8-19	1/4-19	29	26.5	8	5	19
ProtecS3-N9-06-06	3/8-19	3/8-19	29	30	8	8	19
ProtecS3-N9-06-08	3/8-19	1/2-14	29	38	8	11	24
ProtecS3-N9-08-06	1/2-14	3/8-19	32.5	30	11	8	24
ProtecS3-N9-08-08	1/2-14	1/2-14	32.5	38	11	11	24
ProtecS3-N9-08-12	1/2-14	3/4-14	36	43	11	16	30
ProtecS3-N9-12-08	3/4-14	1/2-14	36	38	16	11	30
ProtecS3-N9-12-12	3/4-14	3/4-14	36	43	16	16	30
ProtecS3-N9-12-16	3/4-14	1-11	42	46	16	22	36
ProtecS3-N9-16-12	1-11	3/4-14	42	43	22	16	36
ProtecS3-N9-16-16	1-11	1-11	42	46	22	22	36
ProtecS3-N9-20-20	1 1/4-11	1 1/4-11	50	58	28	28	46
ProtecS3-N9-24-24	1 1/2-11	1 1/2-11	52	53	34	34	50

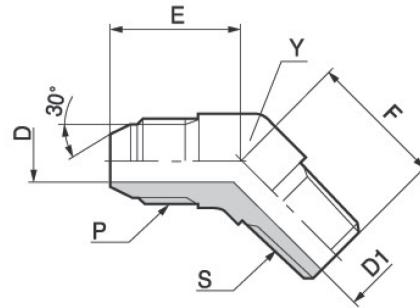
ProtecS3-N4

Flare tube end / Male pipe end

Part Number Information

Body only

All dimensions are in millimeters



PART NO	P (PF)	S (PF)	E	F	D	D1	Y
ProtecS3-N4-02-02	1/8-28	1/8-28	18	18	3	3	14
ProtecS3-N4-02-04	1/8-28	1/4-19	20	20	3	5	17
ProtecS3-N4-04-02	1/4-19	1/8-28	22	18	5	3	17
ProtecS3-N4-04-04	1/4-19	1/4-19	22	20	5	5	17
ProtecS3-N4-04-06	1/4-19	3/8-19	22	24	5	8	19
ProtecS3-N4-06-04	3/8-19	1/4-19	24	20	8	5	19
ProtecS3-N4-06-06	3/8-19	3/8-19	24	24	8	8	19
ProtecS3-N4-06-08	3/8-19	1/2-14	24	27	8	11	24
ProtecS3-N4-08-06	1/2-14	3/8-19	27	24	11	8	24
ProtecS3-N4-08-08	1/2-14	1/2-14	27	27	11	11	24
ProtecS3-N4-08-12	1/2-14	3/4-14	27	32	11	16	30
ProtecS3-N4-12-08	3/4-14	1/2-14	32	27	16	11	30
ProtecS3-N4-12-12	3/4-14	3/4-14	32	32	16	16	30
ProtecS3-N4-12-16	3/4-14	1-11	32	34	16	22	36
ProtecS3-N4-16-12	1-11	3/4-14	35	32	22	16	36
ProtecS3-N4-16-16	1-11	1-11	35	34	22	22	36
ProtecS3-N4-20-20	1 1/4-11	1 1/4-11	42	40	28	28	46
ProtecS3-N4-24-24	1 1/2-11	1 1/2-11	43	41	34	34	50

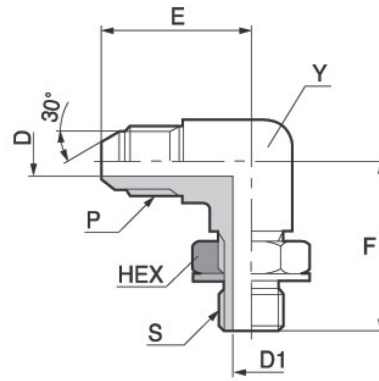
ProtecS3-W9

Flare tube end/ Straight thread O-ring

Part Number Information

Body with locknut, washer and O-ring

All dimensions are in millimeters



PART NO	P (PF)	S (PF)	E	F	D	D1	HEX	Y
ProtecS3-W9-04-04	1/4-19	1/4-19	27	32	5	5	19	14
ProtecS3-W9-04-06	1/4-19	3/8-19	32	37	5	8	22	19
ProtecS3-W9-06-04	3/8-19	1/4-19	32	37	8	5	19	19
ProtecS3-W9-06-06	3/8-19	3/8-19	32	37	8	8	22	19
ProtecS3-W9-06-08	3/8-19	1/2-14	37	43	8	11	27	22
ProtecS3-W9-08-06	1/2-14	3/8-19	37	43	11	8	22	22
ProtecS3-W9-08-08	1/2-14	1/2-14	37	43	11	11	27	22
ProtecS3-W9-08-12	1/2-14	3/4-14	42	49	11	16	32	27
ProtecS3-W9-12-08	3/4-14	1/2-14	42	49	16	11	27	27
ProtecS3-W9-12-12	3/4-14	3/4-14	42	49	16	16	32	27
ProtecS3-W9-12-16	3/4-14	1-11	46	52	16	22	41	33
ProtecS3-W9-16-12	1-11	3/4-11	46	52	22	16	32	33
ProtecS3-W9-16-16	1-11	1-11	46	52	22	22	41	33
ProtecS3-W9-20-20	1 1/4-11	1 1/4-11	52	65	28	28	50	46

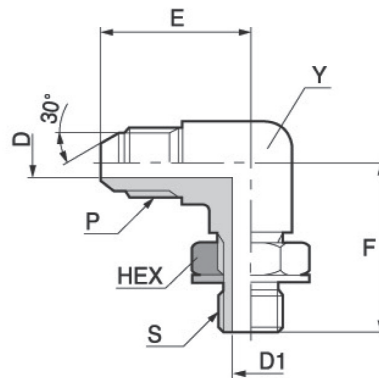
ProtecU3-W9

Flare tube end/ Straight thread O-ring

Part Number Information

Body with locknut, washer and O-ring

All dimensions are in millimeters



PART NO	P (PF)	S (UNF)	E	F	D	D1	HEX	Y
ProtecU3-W9-04-06	1/4-19	9/16-18	27	32	5	7.5	17.5	14
ProtecU3-W9-06-08	3/8-19	3/4-16	32	37	8	9.9	22.2	19
Protec U3-W9-08-10	1/2-14	7/8-14	37	43	11	12.3	25.4	22
ProtecU3-W9-12-12	3/4-14	1 1/16-12	42	49	16	15.5	31.8	27
ProtecU3-W9-16-16	1-11	1 5/16-12	46	52	22	21	38.1	33
ProtecU3-W9-20-20	1 1/4-11	1 5/8-12	50	57	28	27	47.6	46

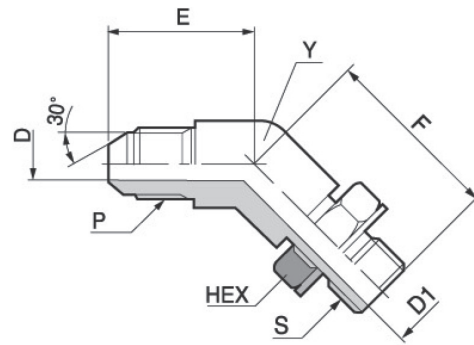
ProtecS3-W4

Flare tube end/ Straight thread O-ring

Part Number Information

Body with locknut, washer and O-ring

All dimensions are in millimeters



PART NO	P (PF)	S (PF)	E	F	D	D1	HEX	Y
ProtecS3-W4-04-04	1/4-19	1/4-19	21	29	5	5	19	14
ProtecS3-W4-04-06	1/4-19	3/8-19	25	33	5	8	22	19
ProtecS3-W4-06-04	3/8-19	1/4-19	25	33	8	5	19	19
ProtecS3-W4-06-06	3/8-19	3/8-19	25	33	8	8	22	19
ProtecS3-W4-06-08	3/8-19	1/2-14	28	39	8	11	27	22
ProtecS3-W4-08-06	1/2-14	3/8-19	28	39	11	8	22	22
ProtecS3-W4-08-08	1/2-14	1/2-14	28	39	11	11	27	22
ProtecS3-W4-08-12	1/2-14	3/4-14	33	44	11	16	32	27
ProtecS3-W4-12-08	3/4-14	1/2-14	33	44	16	11	27	27
ProtecS3-W4-12-12	3/4-14	3/4-14	33	44	16	16	32	27
ProtecS3-W4-12-16	3/4-14	1-11	37	47	16	22	41	33
ProtecS3-W4-16-12	1-11	3/4-11	37	47	22	16	32	33
ProtecS3-W4-16-16	1-11	1-11	37	47	22	22	41	33
ProtecS3-W4-20-20	1 1/4-11	1 1/4-11	42	49	28	28	50	46

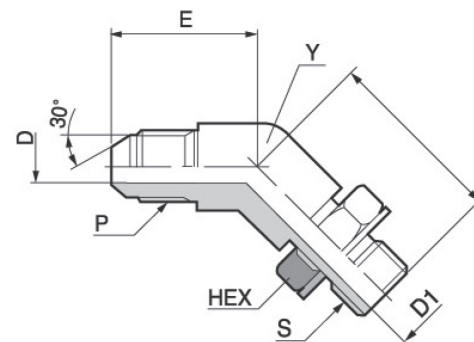
ProtecU3-W4

Flare tube end/ Straight thread O-ring

Part Number Information

Body with locknut, washer and O-ring

All dimensions are in millimeters



PART NO	P (PF)	S (UNF)	E	F	D	D1	HEX	Y
ProtecU3-W4-04-06	1/4-19	9/16-18	21	29	5	7.5	17.5	14
ProtecU3-W4-06-08	3/8-19	3/4-16	25	33	8	9.9	22.2	19
ProtecU3-W4-08-10	1/2-14	7/8-14	28	39	11	12.3	25.4	22
ProtecU3-W4-12-12	3/4-14	1 1/16-12	33	44	16	15.5	31.8	27
ProtecU3-W4-16-16	1-11	1 5/16-12	37	47	22	21	38.1	33
ProtecU3-W4-20-20	1 1/4-11	1 5/8-12	42	49	28	27	47.6	46

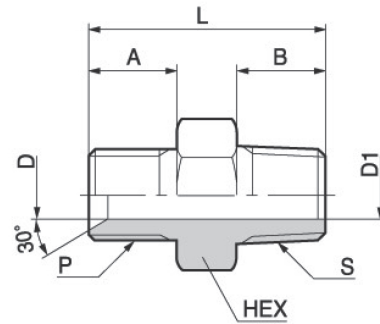
ProtecH3-HN

Flare tube end/ Male pipe end

Part Number Information

Body only

All dimensions are in millimeters



PART NO	P (PF)	S (PT)	HEX	L	A	B	D	D1
Protec H3-HN-02-02	1/8-28	1/8-28	14	28	10	10	3	3
Protec H3-HN-02-04	1/8-28	1/4-19	17	31	10	13	3	5
Protec H3-HN-04-02	1/4-19	1/8-28	19	31	13	10	5	3
Protec H3-HN-04-04	1/4-19	1/4-19	19	34	13	13	5	5
Protec H3-HN-04-06	1/4-19	3/8-19	22	36	13	15	5	8
Protec H3-HN-06-04	3/8-19	1/4-19	22	36	15	13	8	5
Protec H3-HN-06-06	3/8-19	3/8-19	22	38	15	15	8	8
Protec H3-HN-06-08	3/8-19	1/2-14	27	43	15	18	8	11
Protec H3-HN-08-06	1/2-14	3/8-19	27	43	18	15	11	8
Protec H3-HN-08-08	1/2-14	1/2-14	27	46	18	18	11	11
Protech3-HN-08-12	1/2-14	3/4-14	36	50	18	20	11	16
Protech3-HN-12-08	3/4-14	1/2-14	36	50	20	18	16	11
Protech3-HN-12-12	3/4-14	3/4-14	36	52	20	20	16	16
Protech3-HN-12-16	3/4-14	1-11	41	56	20	22	16	22
Protech3-HN-16-12	1-11	3/4-14	41	56	22	20	22	16
Protech3-HN-16-16	1-11	1-11	41	58	22	22	22	22
Protech3-HN-20-20	1 1/4-11	1 1/4-11	46	64	25	25	28	28
Protech3-HN-24-24	1 1/2-11	1 1/2-11	50	65	25	25	34	34

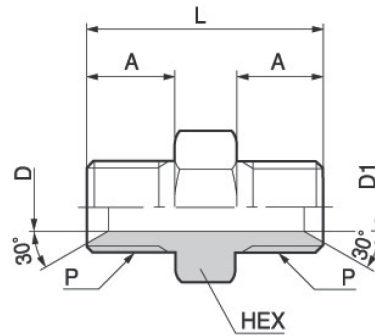
ProtechH3H

Flare tube end / Flare tube end

Part Number Information

Body only

All dimensions are in millimeters



PART NO	P (PF)	HEX	L	D	A
ProtechH3H-04-04	1/4-19	19	34	5	13
ProtechH3H-06-06	3/8-19	22	38	8	15
ProtechH3H-08-08	1/2-14	27	46	11	18
ProtechH3H-12-12	3/4-14	36	52	16	20
ProtechH3H-16-16	1-11	41	58	22	22
ProtechH3H-20-20	1 1/4-11	46	64	28	25
ProtechH3H-24-24	1 1/2-11	50	65	34	25

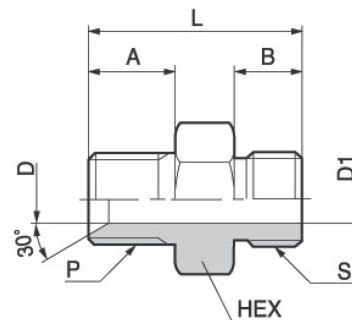
ProtechH3-HB

Flare tube end / Straight thread O-ring

Part Number Information

Body with O-ring

All dimensions are in millimeters



PART NO	P (PF)	S (PF)	HEX	L	D	D1	A	B
ProtechH3-H B-04-04	1/4-19	1/4-19	19	33	5	5	13	11
ProtechH3-H B-04-06	1/4-19	3/8-19	22	33	5	5	13	11
ProtechH3-H B-06-06	3/8-19	3/8-19	22	37	8	8	15	11
ProtechH3-H B-06-08	3/8-19	1/2-14	27	40	8	8	15	15
ProtechH3-H B-08-08	1/2-14	1/2-14	27	43	11	11	18	16
ProtechH3-HB-08-12	1/2-14	3/4-14	32	44	11	11	18	16
ProtechH3-HB-12-12	3/4-14	3/4-14	32	49	16	16	20	20
ProtechH3-HB-12-16	3/4-14	1-11	41	50	16	16	20	20
ProtechH3-HB-16-16	1-11	1-11	41	56	22	22	22	20
ProtechH3-H B-16-20	1-11	1 1/4-11	50	57	22	28	22	20
ProtechH3-H B-20-20	1 1/4-11	1 1/4-11	50	60	28	28	25	20
ProtechH3-H B-24-24	1 1/2-11	1 1/2-11	60	60	34	34	25	20

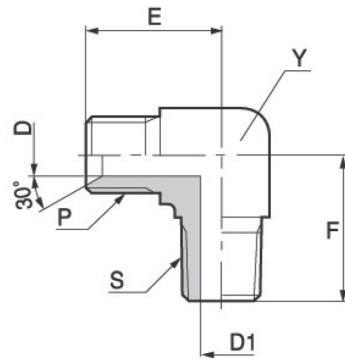
ProtecH3-N9

Flare tube end/ Male pipe end

Part Number Information

Body only

All dimensions are in millimeters



PART NO	P (PF)	S (PT)	E	F	D	D1	Y
ProtecH3-N9-02-02	1/8-28	1/8-28	17.5	22	3	3	14
ProtecH3-N9-02-04	1/8-28	1/4-19	20	26.5	3	5	17
ProtecH3-N9-04-02	1/4-19	1/8-28	24.5	19.5	5	3	17
ProtecH3-N9-04-04	1/4-19	1/4-19	23	26.5	5	5	17
ProtecH3-N9-04-06	1/4-19	3/8-19	25	30	5	8	19
ProtecH3-N9-06-04	3/8-19	1/4-19	27	28	8	5	19
ProtecH3-N9-06-06	3/8-19	3/8-19	27	30	8	8	19
ProtecH3-N9-06-08	3/8-19	1/2-14	27.5	38	8	11	24
ProtecH3-N9-08-06	1/2-14	3/8-19	31	32	11	8	24
ProtecH3-N9-08-08	1/2-14	1/2-14	30.5	38	11	11	24
ProtecH3-N9-08-12	1/2-14	3/4-14	34	43	11	16	30
ProtecH3-N9-12-08	3/4-14	1/2-14	36	41	16	11	30
ProtecH3-N9-12-12	3/4-14	3/4-14	36	43	16	16	30
ProtecH3-N9-12-16	3/4-14	1-11	42	46	16	22	36
ProtecH3-N9-16-12	1-11	3/4-14	42	43	22	16	36
ProtecH3-N9-16-16	1-11	1-11	42	46	22	22	36
Protec H3-N9-20-20	1 1/4-11	1 1/4-11	48	58	28	28	46
ProtecH3-N9-24-24	1 1/2-11	1 1/2-11	50	63	34	34	50

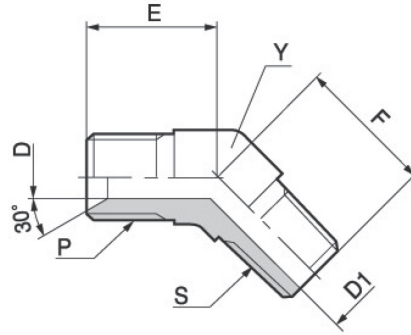
ProtechH3-N4

Flare tube end / Male pipe end

Part Number Information

Body only

All dimensions are in millimeters



PART NO	P (PF)	S (PT)	E	F	D	Y
ProtechH3-N4-02-02	1/8-28	1/8-28	18	18	3	14
ProtechH3-N4-04-04	1/4-19	1/4-19	19	20	5	17
ProtechH3-N4-06-06	3/8-19	3/8-19	23	24	8	19
ProtechH3-N4-08-08	1/2-14	1/2-14	26	27	11	24
ProtechH3-N4-12-12	3/4-14	3/4-14	32	32	16	30
ProtechH3-N4-16-16	1-11	1-11	35	34	22	36
ProtechH3-N4-20-20	1 1/4-11	1 1/4-11	40	40	28	46
ProtechH3-N4-24-24	1 1/2-11	1 1/2-11	41	41	34	50

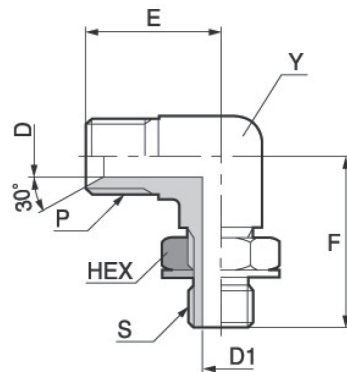
ProtechH3-W9

Flare tube end/ Straight thread O-ring

Part Number Information

Body with locknut, washer and O-ring

All dimensions are in millimeters



PART NO	P (PF)	S (PF)	E	F	D	D1	HEX	Y
ProtechH3-W9-04-04	1/4-19	1/4-19	23	32	5	5	19	14
ProtechH3-W9-04-06	1/4-19	3/8-19	26	37	5	8	22	19
ProtechH3-W9-06-04	3/8-19	1/4-19	29	37	8	5	19	19
ProtechH3-W9-06-06	3/8-19	3/8-19	29	37	8	8	22	19
ProtechH3-W9-06-08	3/8-19	1/2-14	29	43	8	11	27	22
ProtechH3-W9-08-06	1/2-14	3/8-19	34	43	11	8	22	22
ProtechH3-W9-08-08	1/2-14	1/2-14	34	43	11	11	27	22
ProtechH3-W9-08-12	1/2-14	3/4-14	35	49	11	16	32	27
ProtechH3-W9-12-08	3/4-14	1/2-14	36	49	16	11	27	27
ProtechH3-W9-12-12	3/4-14	3/4-14	36	49	16	16	32	27
ProtechH3-W9-12-16	3/4-14	1-11	40	52	16	22	41	33
ProtechH3-W9-16-12	1-11	3/4-11	40	52	22	16	32	33
ProtechH3-W9-16-16	1-11	1-11	40	52	22	22	41	33
ProtechH3-W9-20-20	1 1/4-11	1 1/4-11	48	65	28	28	50	46

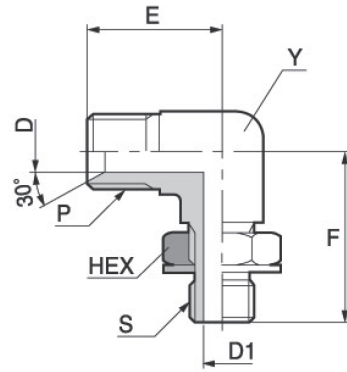
ProtecHU-W9

Flare tube end/ Straight thread O-ring

Part Number Information

Body with locknut, washer and O-ring

All dimensions are in millimeters



PART NO	P (PF)	S (UNF)	E	F	D	D1	HEX	Y
ProtecHU-W9-04-06	1/4-19	9/16-18	23	32	5	7.5	17.5	14
ProtecHU-W9-06-08	3/8-19	3/4-16	29	37	8	9.9	22.2	19
ProtecHU-W9-08-10	1/2-14	7/8-14	34	43	11	12.3	25.4	22
ProtecHU-W9-12-12	3/4-14	1 1/16-12	36	49	16	15.5	31.8	27
ProtecHU-W9-16-16	1-11	1 5/16-12	40	52	22	21	38.1	33
ProtecHU-W9-20-20	1 1/4-11	1 5/8-12	48	57	28	27	47.6	46

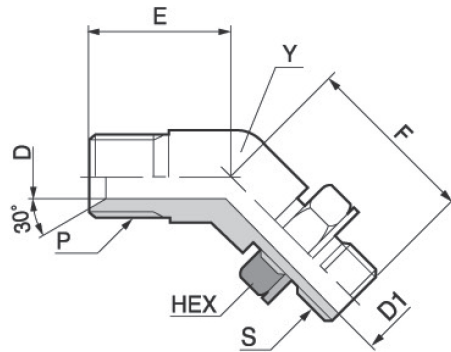
ProtecH3-W4

Flare tube end/ Straight thread O-ring

Part Number Information

Body with locknut, washer and O-ring

All dimensions are in millimeters



PART NO	P (PF)	S (PF)	E	F	D	D1	HEX	Y
ProtecH3-W4-04-04	1/4-19	1/4-19	19	29	5	5	19	14
ProtecH3-W4-04-06	1/4-19	3/8-19	24	33	5	8	22	19
ProtecH3-W4-06-04	3/8-19	1/4-19	24	33	8	5	19	19
ProtecH3-W4-06-06	3/8-19	3/8-19	24	33	8	8	22	19
ProtecH3-W4-06-08	3/8-19	1/2-14	28	39	8	11	27	22
ProtecH3-W4-08-06	1/2-14	3/8-19	28	39	11	8	22	22
ProtecH3-W4-08-08	1/2-14	1/2-14	28	39	11	11	27	22
ProtecH3-W4-08-12	1/2-14	3/4-14	32	39	11	16	32	27
ProtecH3-W4-12-08	3/4-14	1/2-14	32	44	16	11	27	27
ProtecH3-W4-12-12	3/4-14	3/4-14	32	44	16	16	32	27
ProtecH3-W4-12-16	3/4-14	1-11	37	44	16	22	41	33
ProtecH3-W4-16-12	1-11	3/4-11	37	47	22	16	32	33
ProtecH3-W4-16-16	1-11	1-11	37	47	22	22	41	33
Protec H3-W4-20-20	1 1/4-11	1 1/4-11	40	49	28	28	50	46

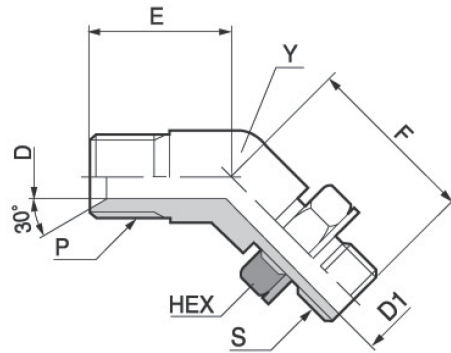
ProtecHU-W4

Flare tube end / Straight thread O-ring

Part Number Information

Body with locknut, washer and O-ring

All dimensions are in millimeters



PART NO	P (PF)	S (PF)	E	F	D	D1	HEX	Y
ProtecH U-W4-04-06	1/4-19	9/16-18	19	29	5	7.5	17.5	14
ProtecH U-W4-06-08	3/8-19	3/4-16	24	33	8	9.9	22.2	19
ProtecHU-W4-08-10	1/2-14	7/8-14	28	38.6	11	12.3	25.4	22
ProtecHU-W4-12-12	3/4-14	1 1/16-12	32	43.9	16	15.5	31.8	27
ProtecHU-W4-16-16	1-11	1 5/16-12	37	47.2	22	21	38.1	33
ProtecHU-W4-20-20	1 1/4-11	1 5/8-12	40	49	28	27	47.6	46

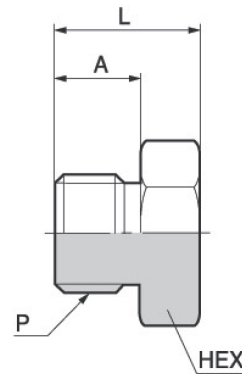
ProtecOG

Straight thread O-ring

Part Number Information

Body with and O-ring

All dimensions are in millimeters

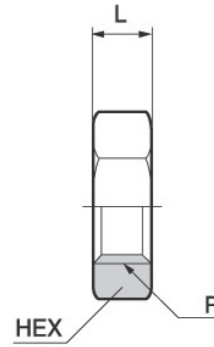


PART NO	P (PF)	HEX	L	A
ProtecOG-04	1/4-19	17	20	11
ProtecOG-06	3/8-19	22	21	11
ProtecOG-08	1/2-14	27	27.3	15
ProtecOG-12	3/4-14	32	30	16
ProtecOG-16	1-11	41	32	20
ProtecOG-20	1 1/4-11	50	35	20
ProtecOG-24	1 1/2-11	60	35	20

ProtecPNUT

Fitting lock nut

All dimensions are in millimeters



PART NO	P (PF)	HEX	L
ProtecPNUT-02	1/8-28	14	6
ProtecPNUT-04	1/4-19	19	7
ProtecPNUT-06	3/8-19	22	8
ProtecPNUT-08	1/2-14	27	9
ProtecPNUT-12	3/4-14	36	10.2
ProtecPNUT-16	1-11	41	10.4
ProtecPNUT-20	1 1/4-11	50	10.4
ProtecPNUT-24	1 1/2-11	55	12.2